

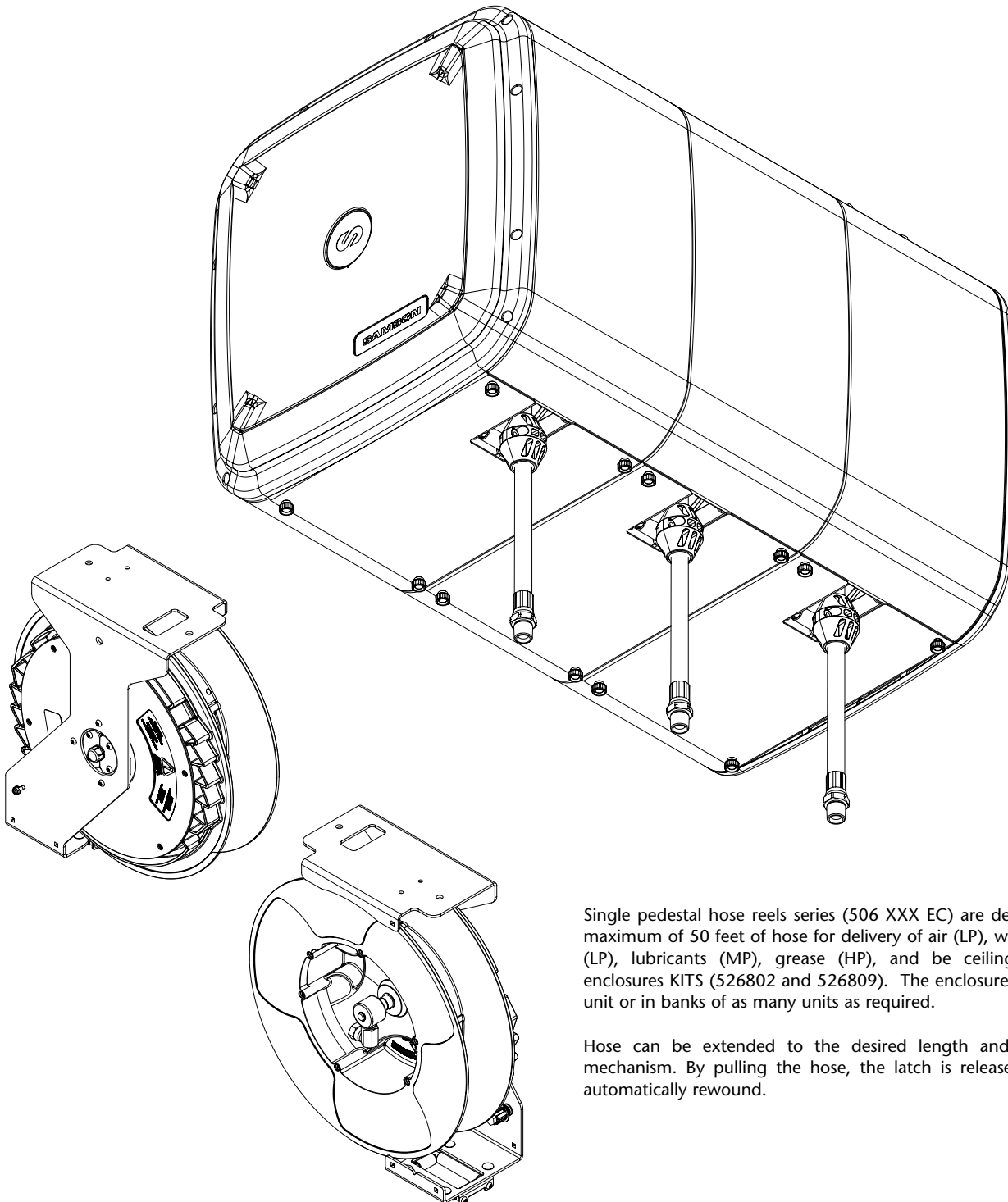


# MODULAR HOSE-REEL ENCLOSURE SYSTEM-506 SERIES

Spare parts and technical service guide

Part No.:  
**506 XXX EC**  
**526 802 526 809**  
**137X**

## Description



Single pedestal hose reels series (506 XXX EC) are designed to handle a maximum of 50 feet of hose for delivery of air (LP), water (LP), antifreeze (LP), lubricants (MP), grease (HP), and be ceiling mounted within enclosures KITS (526802 and 526809). The enclosures mount as a single unit or in banks of as many units as required.

Hose can be extended to the desired length and latched with the mechanism. By pulling the hose, the latch is released and the hose is automatically rewound.

2018\_01\_25-10:00

**THOROUGHLY READ AND UNDERSTAND THIS MANUAL BEFORE INSTALLING, OPERATING OR SERVICING THIS EQUIPMENT.**



**IMPORTANT**

Because this Hose Reel can be incorporated into a pressurized systems, the following safety precautions should be observed.

Check equipment regularly and repair or replace worn and damaged parts.

Never alter or modify any parts of this hose reel, doing so may cause damage to hose reel and/or personal injury and void the warranty.

Under no circumstances should the dispensing valve be aimed at any person at any time. Personal injury may result.

Release pressures built up in the system before any service or repair is begun. See the pressure relief procedure below.

Do not operate bare air/water reels above 300 psi (20.6 bar).  
Do not operate bare lube reels above 3,000 psi (206.9 bar).  
Do not operate bare grease reel above 5,000 psi (344.7 bar).

**NOTE:** If reel is equipped with hose, reel maximum pressure will be determined by the lowest working pressure rating of the hose, bare reel, or dispense valve.

Always read and follow the fluid manufacturer's recommendations regarding the use of protective eyewear, clothing and respirators.



**CAUTION**

Be aware of possible fluid thermal expansion! A pressure relief valve should be properly installed in any system where this product is used. Should this product fail as a result of thermal expansion and no pressure relief valve was installed, the product warranty will be voided.



**CAUTION**

**USE EXTREME CARE WHEN HANDLING THE POWER SPRING!**

The spring is ALWAYS under great tension and could be propelled from the case with enough force to cause serious bodily injury.



**WARNING**

Be sure the mounting surface is strong enough to support the reels, the weight of the fluids and the stress caused by hard pulls on the service hoses. See page 3 for dry weights of the hose reel assemblies.



**WARNING**

The MAXIMUM WORKING PRESSURE of a hose reel is determined by the lowest rated component in the assembly. The hose reel Technical Data chart on page 3 gives the maximum working pressure of the reels at the factory with hose. The maximum working pressure of a hose reel is indicated on the hose reel identification plate located near the base of the reel.



**IMPORTANT**

Read these safety warnings and instructions in this manual completely, before installation and start-up of the reel. It is the responsibility of the purchaser to retain this manual for reference. Failure to comply with the recommendations stated in this manual will damage the reel and void factory warranty.



**WARNING**

Pressure Relief Procedure:  
Follow this procedure before maintaining and/or repairing your Hose Reel and/or any part of system.

- 1) Disconnect the air to the pump.
- 2) Point dispensing valve away from yourself and others.
- 3) Open dispensing valve until pressure is relieved.



**WARNING**

**DANGER:** Not for use with fluids that have a flash point below 100 °F (38 °C). Examples: gasoline, alcohol. Sparking could result in death.

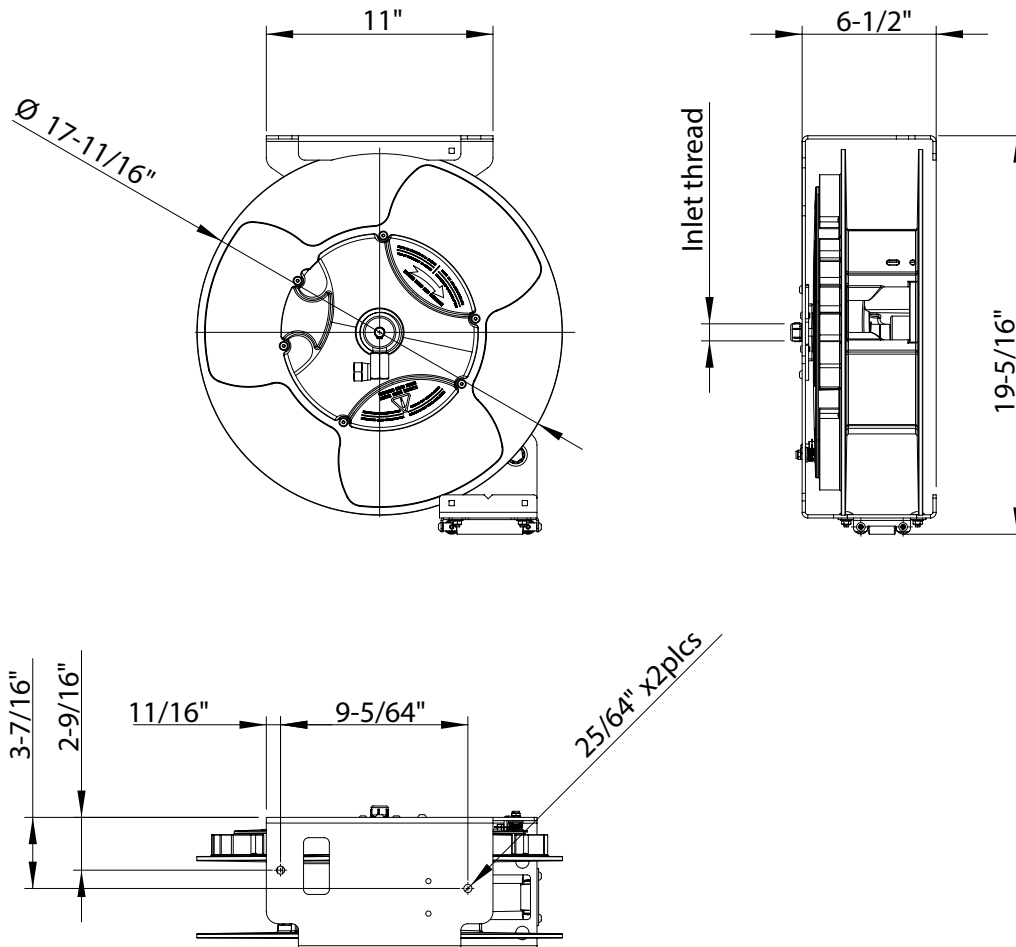
2018\_01\_25-10:00

## Technical data

	TYPE OF SERVICE							
	LP AIR / WATER / ANTIFREEZE				MP SYNTHETIC AND MINERAL OILS		HP GREASE AND HYDRAULIC FLUID	
Hose reel Part No.	506 101 EC	506 104 EC	506 121 EC	506 122 EC	506 202 EC	506 222 EC	506 300 EC	506 321 EC
Hose size length x i.d.	30' x 3/8"	30' x 3/8"	50' x 3/8"	50' x 1/2"	30' x 1/2"	50' x 1/2"	30' x 1/4"	50' x 3/8"
Hose outlet thread	3/8" NPTM	1/4" NPTM	3/8" NPTM	1/2" NPTM	1/2" NPT (M)	1/2" NPT (M)	1/4" NPT (M)	1/4" NPT (M)
Inlet thread	1/2" NPSMM	1/2" NPSMM	1/2" NPSMM	1/2" NPSMM	1/2" NPSM (M)	1/2" NPSM (M)	3/8" NPSM (M)	3/8" NPSM (M)
Max working pressure (psi)	300	300	300	300	2,000	2,000	5,000	4,000
Wetted parts	Brass, Acetal & Buna-N				Carbon Steel Plated & Buna-N		Steel phosphating surface treated & Polyurethane	
Net weight w/hose (lbs)	33,8	33,8	37,0	41,0	36,9	41,7	35,4	43,7
Reel only with swivel Part No.	<b>506871</b>				<b>506872</b>		<b>506873</b>	
Net weight w/o hose (lbs)	26,5				27,1		27,1	

## Dimensions

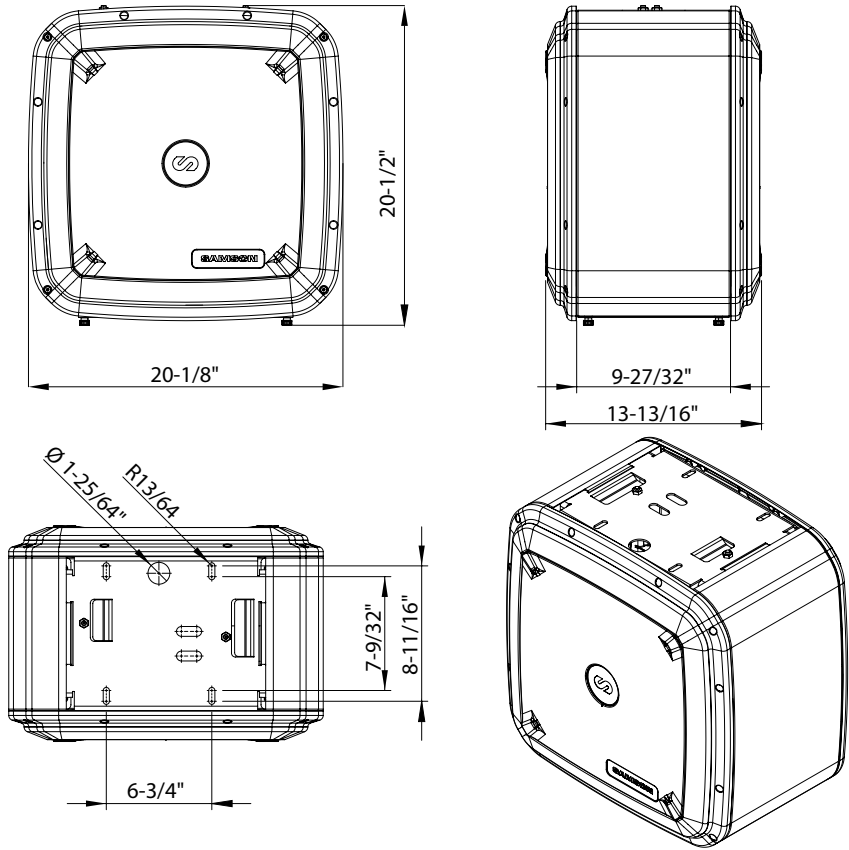
### HOSE REELS



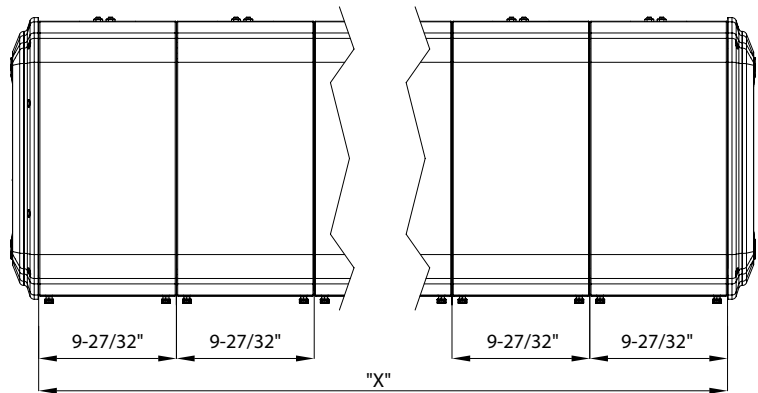
2018\_01\_25-10:00

# Dimensions

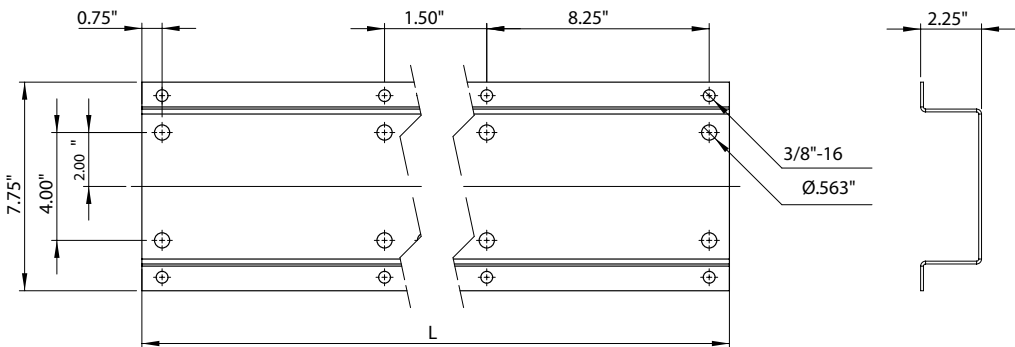
## ENCLOSURES



REEL BANK DIMENSIONS: 9-27/32" x N  
 N= number of reels in the bank  
 Example -> N=5  
 "X" = 9-27/32" x 5 = 4'-1-1/4"



## MOUNTING CHANNELS



MODEL	No OF REELS	L (LENGHT)
1371	1	9.75"
1372	2	19.50"
1373	3	29.25"
1375	5	48.75"

2018\_01\_25-10:00

## Installation



Select the mounting location. To reduce the risk for injury, be sure the framing channels and bolts are strong enough to support the reel's weight and stress caused by pulls.

Mounting channels shown on part list section are recommended as support elements. The using of 1-5/8" 12 GA framing channel is proper too. Reels are heavy and may be difficult to install without assistance. The use of scissor lift is recommended in order to ensure the correct installation of the reel bank overhead.

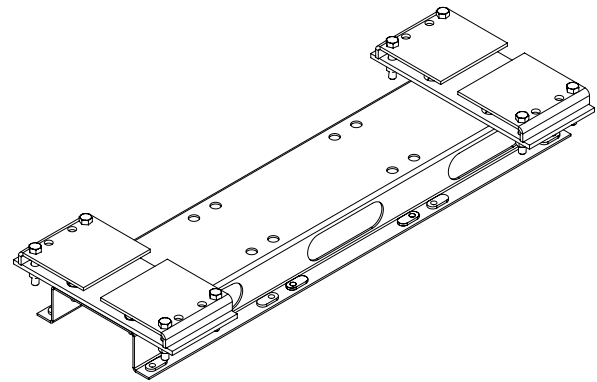
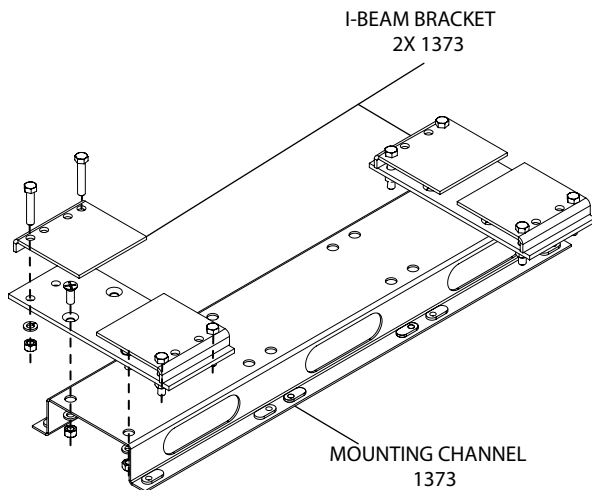
If the ceiling is very high, suspend a suitable support structure for the reel bank, so the hoses will be long enough to reach service area. The reel bank should be installed at a height no greater than 20 feet. Do not lengthen the hose adding another one.



The hose reel is shipped ready to use. The power spring tension has been adjusted for ceiling mounting.

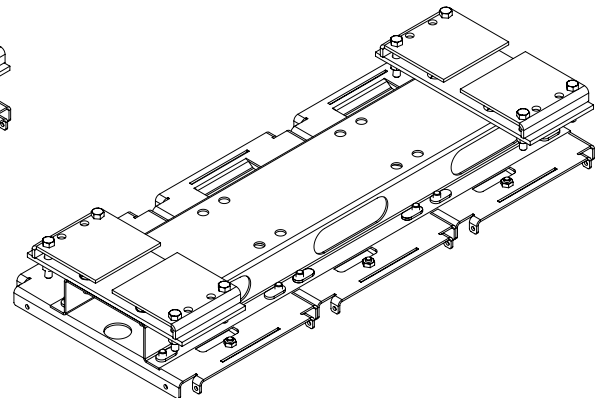
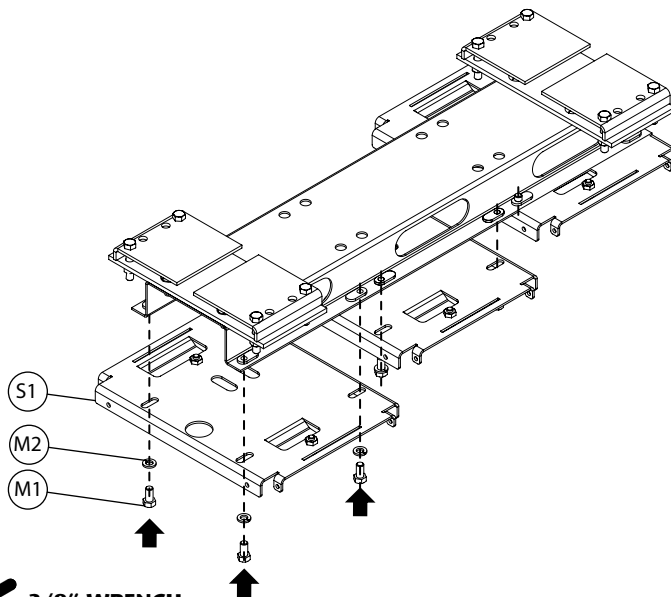
### MOUNTING CHANNEL COMBINATIONS FOR EACH REEL BANK

No.	COMBINATION	I-BEAM BRACKET
1 hose reel	1x 1371	2x 1370
2 hose reels	1x 1372	2x 1370
3 hose reels	1x 1373	2x 1370
4 hose reels	2x 1372	2x 1370
5 hose reels	1x 1375	3x 1370
6 hose reels	2x 1373	3x 1370
7 hose reels	2x 1372 + 1x 1373	4x 1370
8 hose reels	1x 1372 + 2x 1373	4x 1370
9 hose reels	3x 1373	4x 1370
10 hose reels	2x 1375	5x 1370



**3/8" WRENCH**

1. Bolt mounting as many quick release sliding channels (S1) as hose reels to the mounting channel (or other suitable structure) using four 3/8"-16x3/4" screws (M1) and four washers lock (M2) (hardware not included). Do not completely tighten bolts at this time.

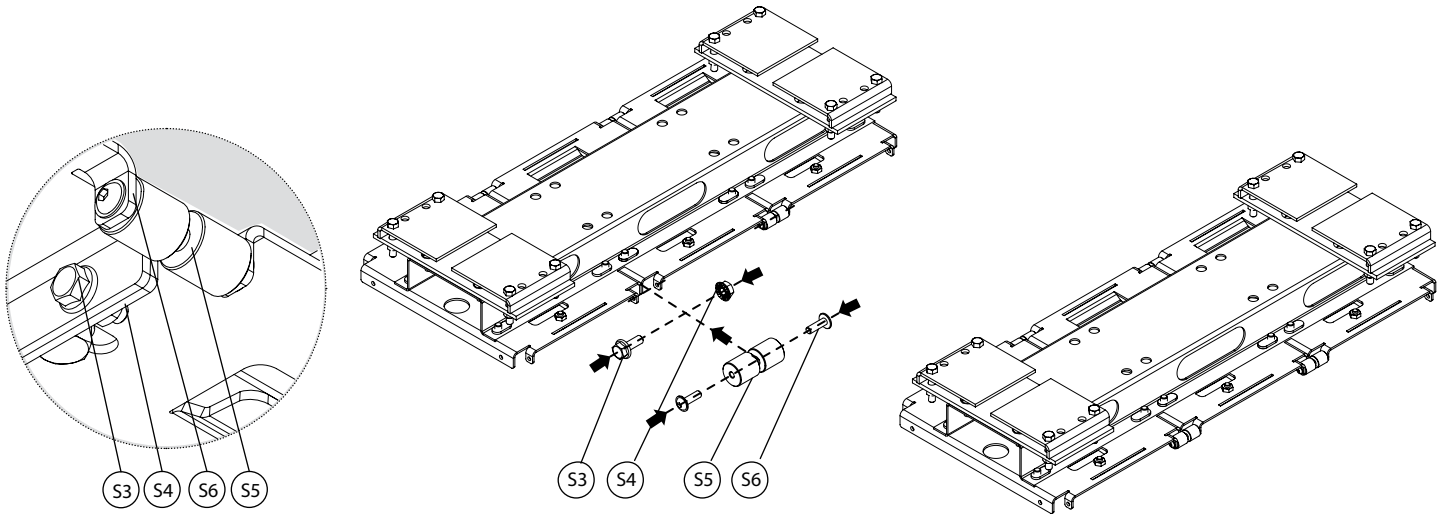


**3/8" WRENCH**

2018\_01\_25-10:00

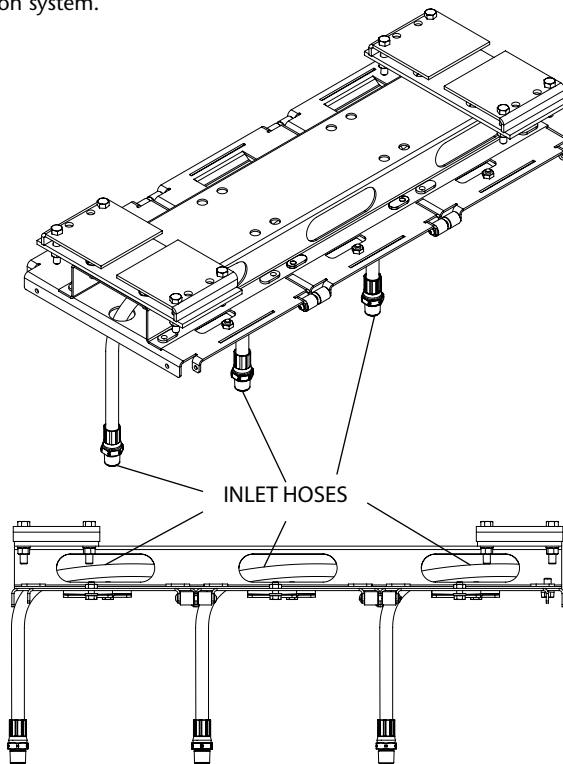
## Installation

2. Bolt mounting centering components between each channel. (Included with all side enclosed kit). Do not completely tighten bolts at this time.



 **10 mm WRENCH**  
**3 mm HEX KEY**

3. Route the inlet hose through hole in quick release sliding channel (S1). Then, attach it to the distribution system.
4. Completely tighten all bolts.



 **3/8" WRENCH**  
**3 mm HEX KEY; 10 mm WRENCH**

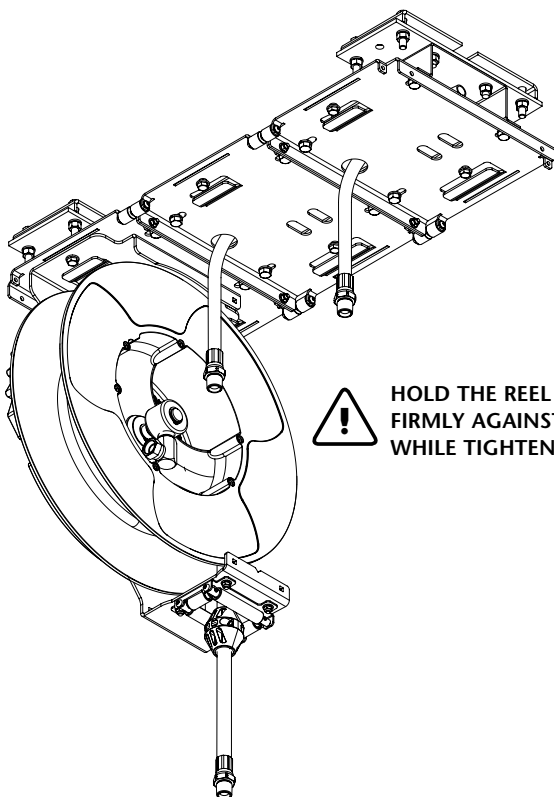
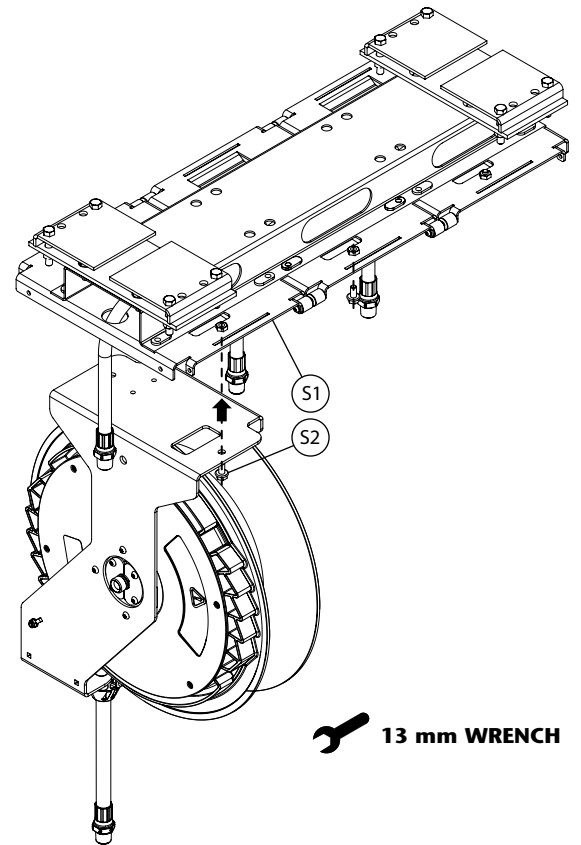
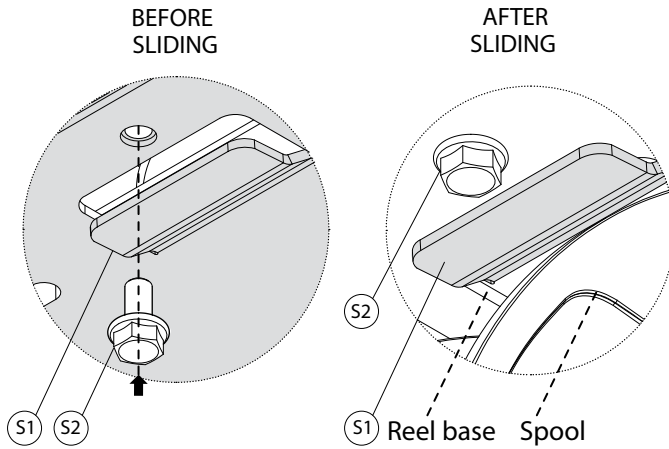
2018\_01\_25-10:00

## Installation

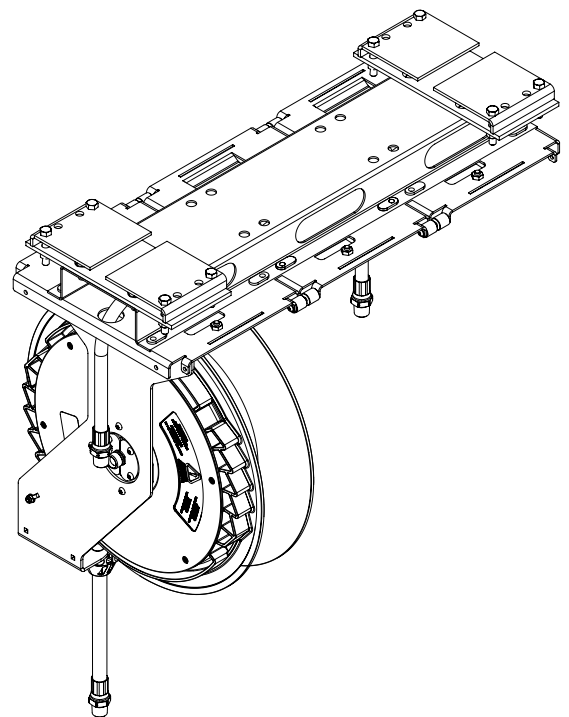
5. Screw off two M8 flange bolts (S2).  
Raise the first hose reel into position and slide the base over the quick release sliding channel (S1).



**HOLD THE REEL ASSEMBLY FIRMLY AGAINST THE STOP WHILE TIGHTENING EACH BOLT.  
LOCKING TWO M8 FLANGE BOLTS MUST BE USED TO SECURE REEL TO THE CHANNEL IMMEDIATELY AFTER SLIDING REEL INTO THE CORRECT POSITION.**



**HOLD THE REEL ASSEMBLY  
FIRMLY AGAINST THE STOP  
WHILE TIGHTENING BOLT**

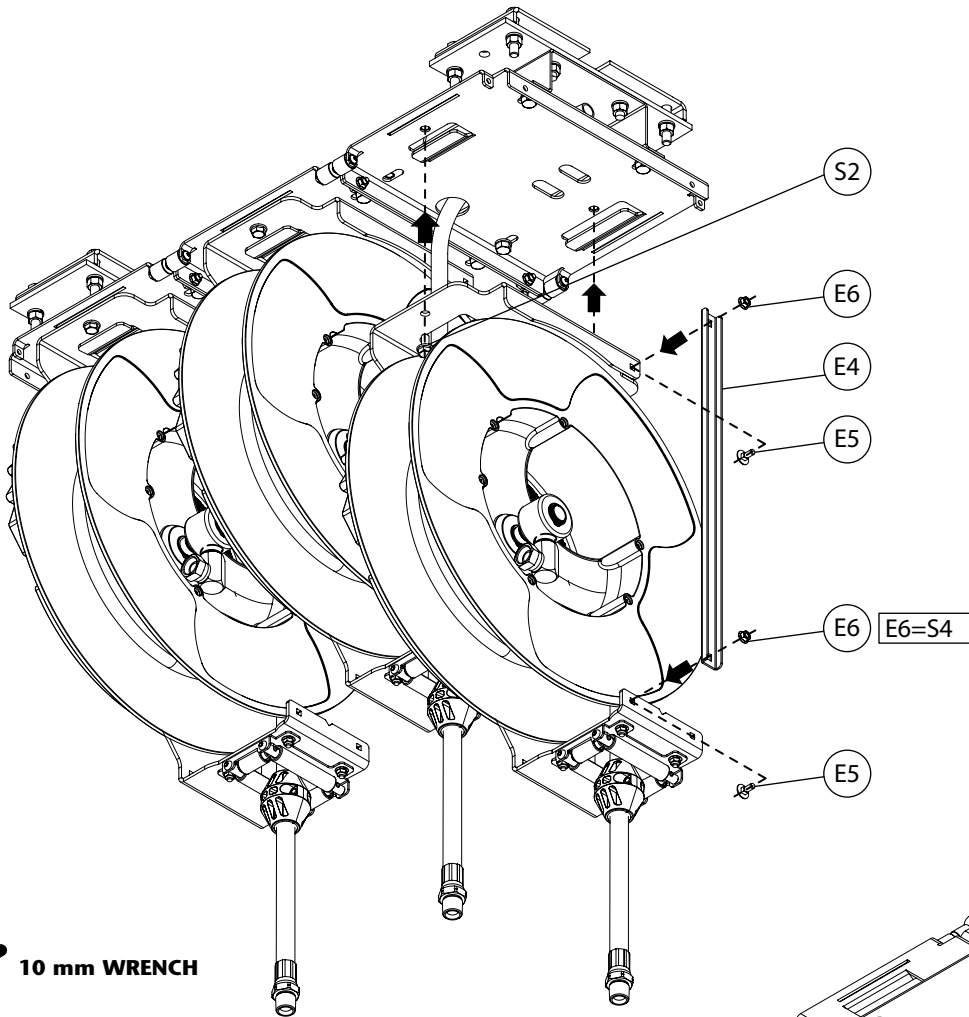


## Installation

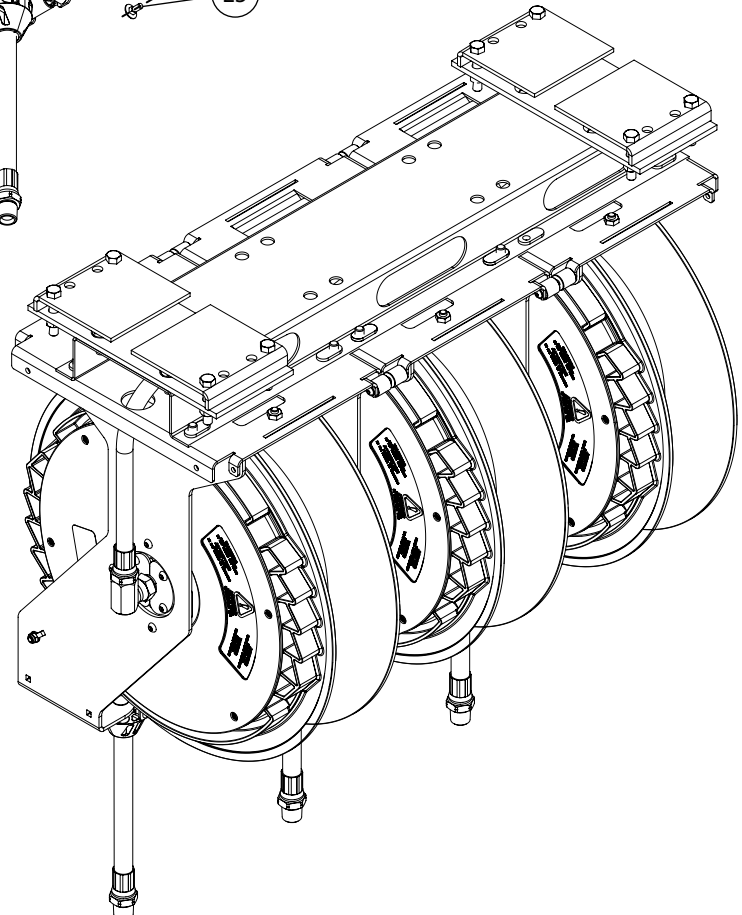
6. Mount the remaining reels in the same manner.  
Before raise the last unit, install the end support bar into the reel included with end panels kit.  
Attach the connecting hoses to the hose reels inlet.



Do not hard pipe inlet/swivel to any existing structure/system. Flexible connection hose must be used to maintain swivel performance.



 10 mm WRENCH

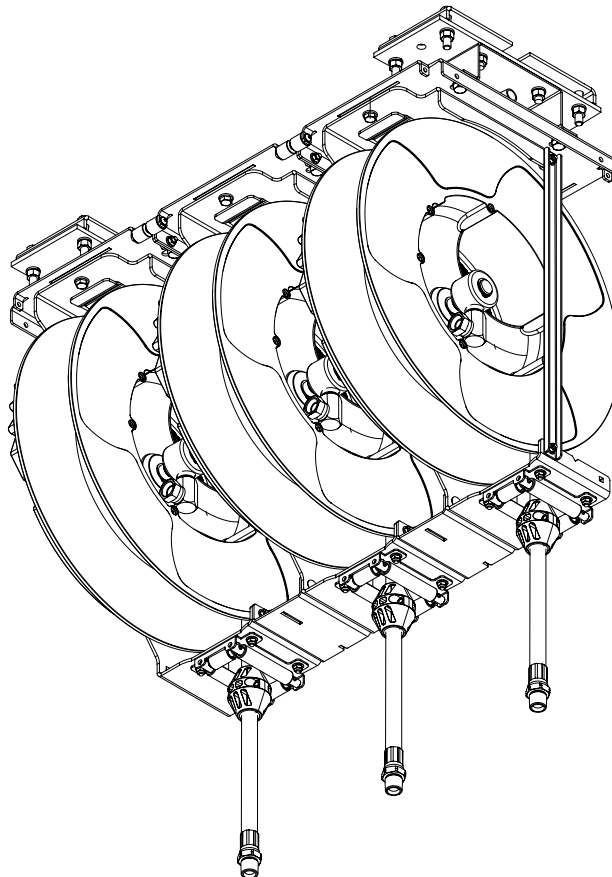
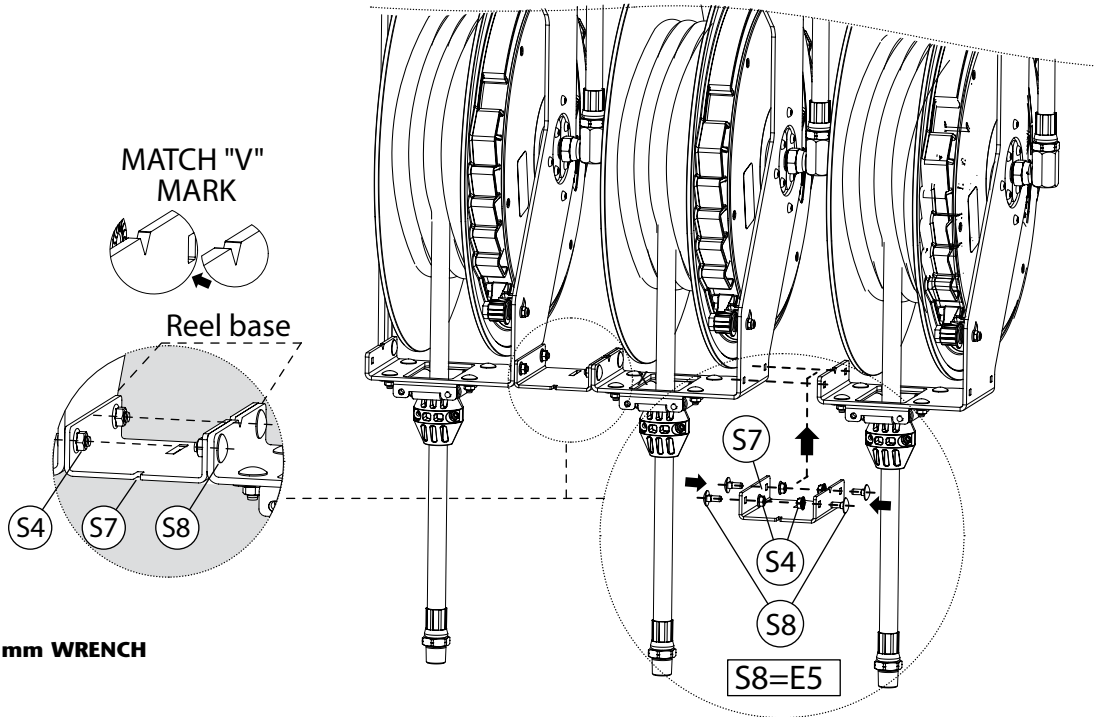


2018\_01\_25-10:00



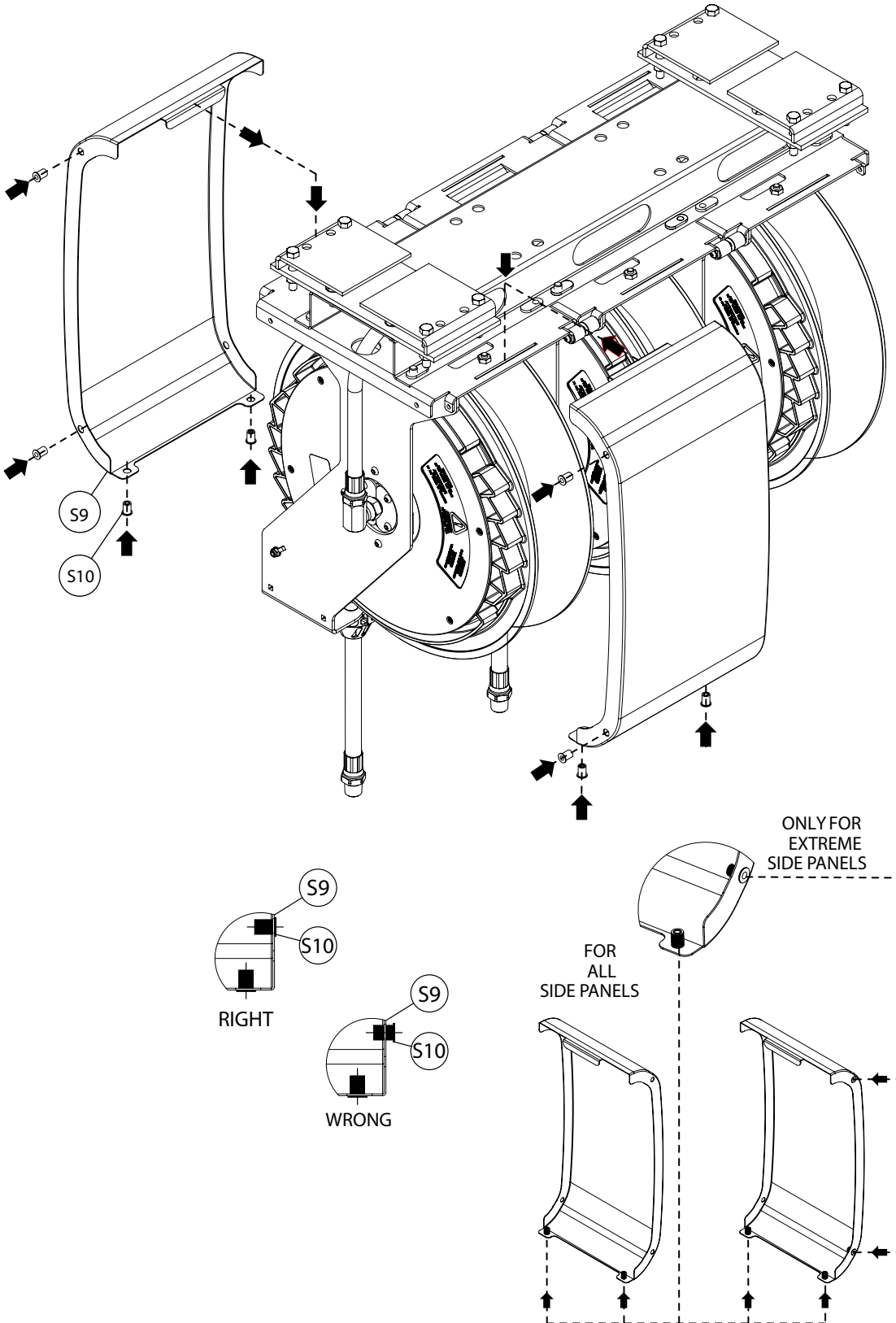
## Installation

7. Bolt mounting alignment brackets (S7) between each reel (included with all side enclosures kit). See the "v" mark on this bracket matching up the same on reel's arm. This component keeps the reel bank rigid, allowing the system to work as single strong element.



## Installation

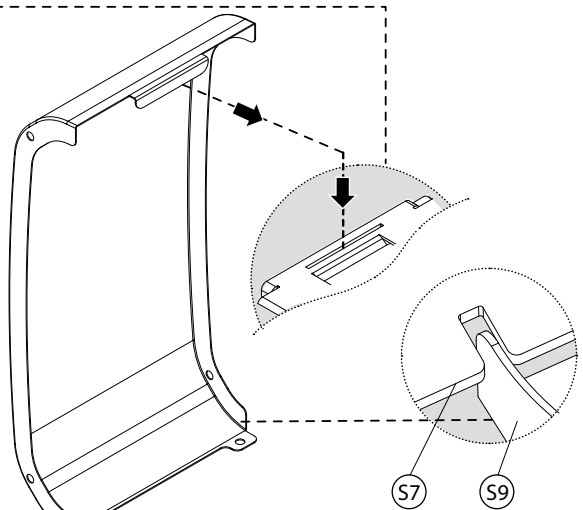
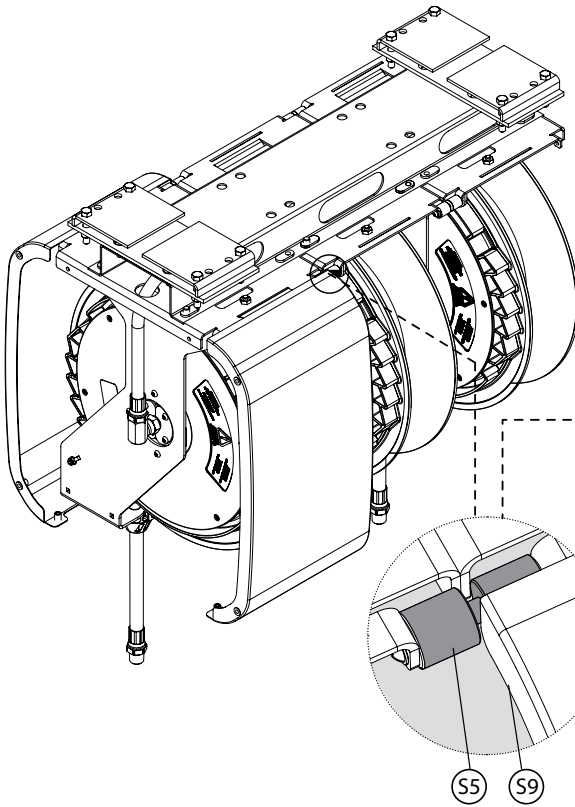
8. Insert two silent-block plugs (S10) to the bottom of the all side panels (S9). The extreme side panels require two more plugs (S10) on side holes to allow the end panel mounting. Make sure to insert them properly avoiding any gap between the plastic plug and the side panel.



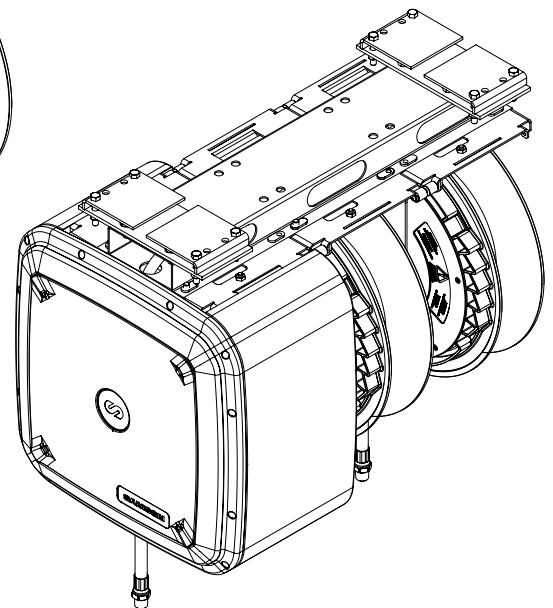
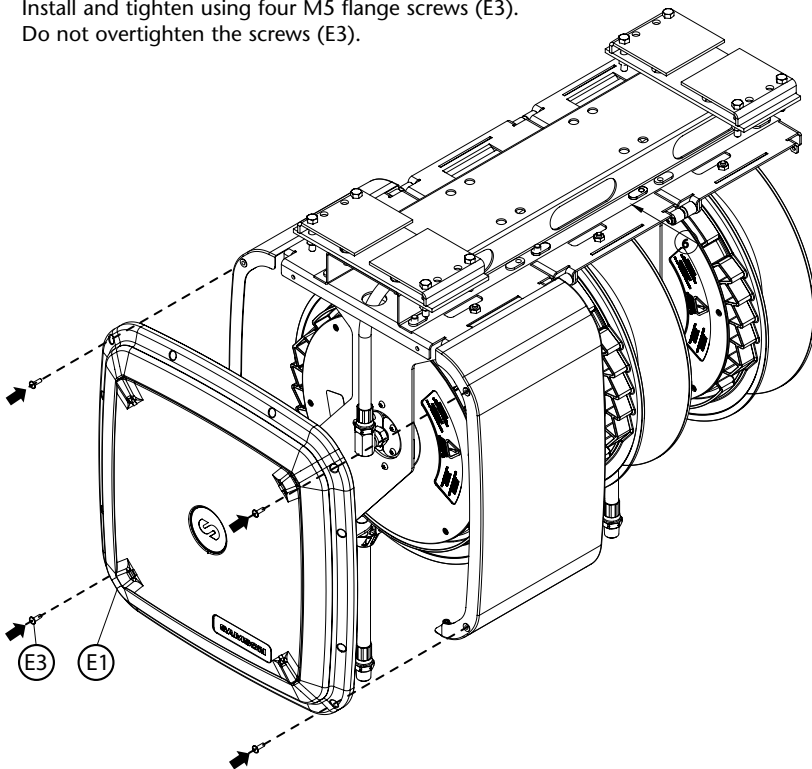
2018\_01\_25-10:00

## Installation

9. Hang two extreme side panels on quick release sliding channel by placing its upper flap into the channel's rectangular grooves. Make sure panels are on position.



10. Join an end panel to the first extreme side panels together. Match holes in end panel to mating holes in side panels. Install and tighten using four M5 flange screws (E3). Do not overtighten the screws (E3).

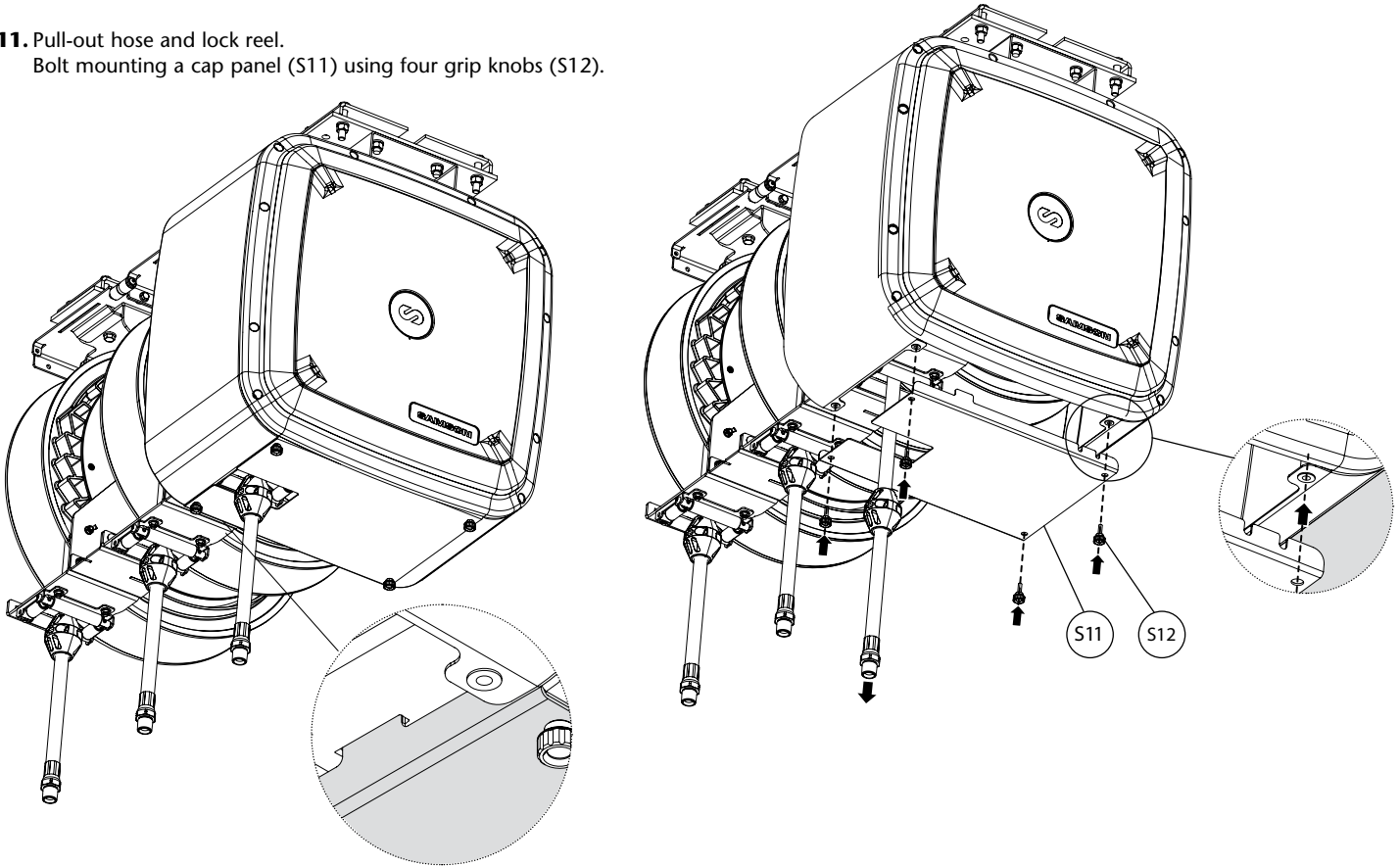


 **3 mm HEX KEY**

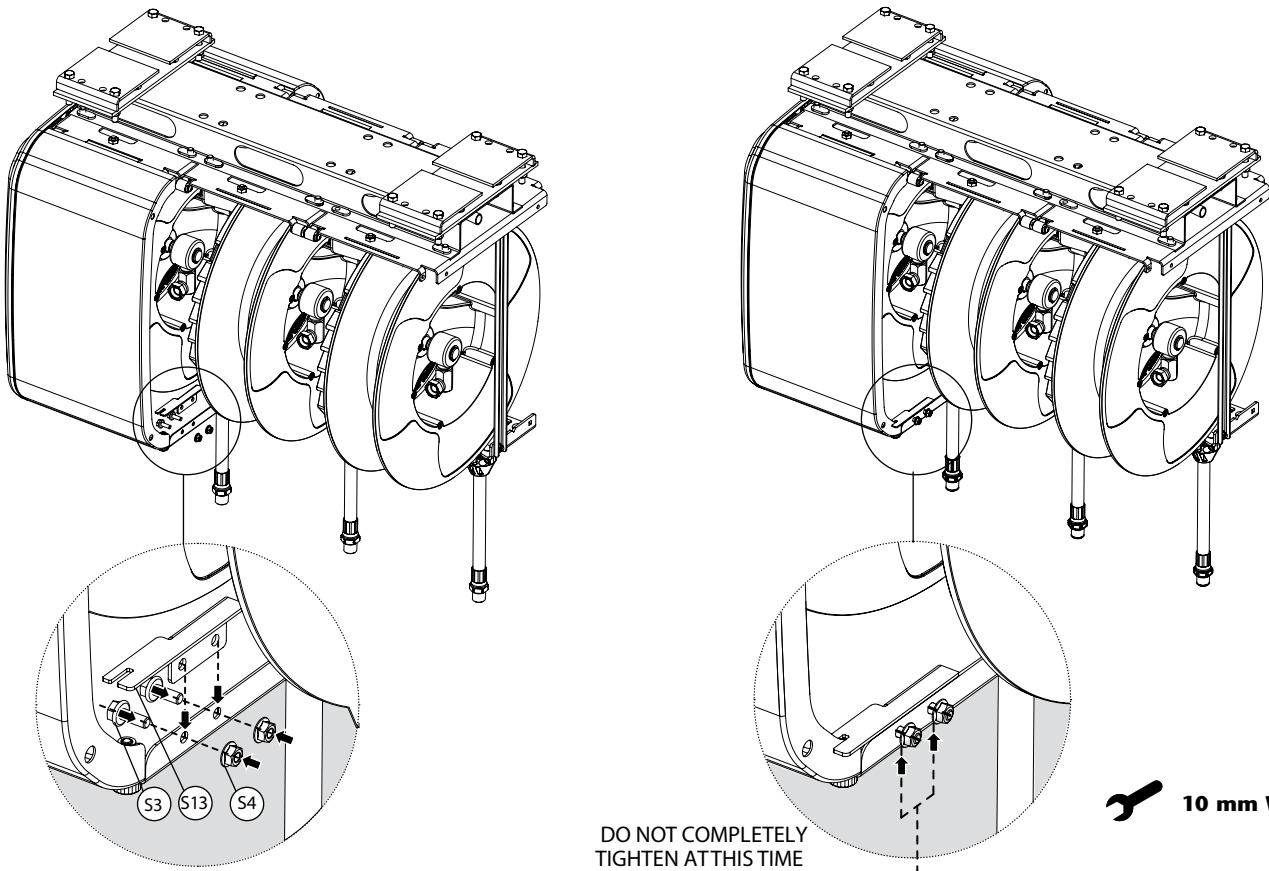
2018\_01\_25-10:00

## Installation

- 11.** Pull-out hose and lock reel.  
Bolt mounting a cap panel (S11) using four grip knobs (S12).



- 12.** Mount the side alignment component (S13) into the backside of the cap panel (S11) using two M6 screws (S3) and nuts (S4) (included with all side enclosures kit). Make sure it is mounted by the interior of this panel. Do not completely tighten bolts at this time.

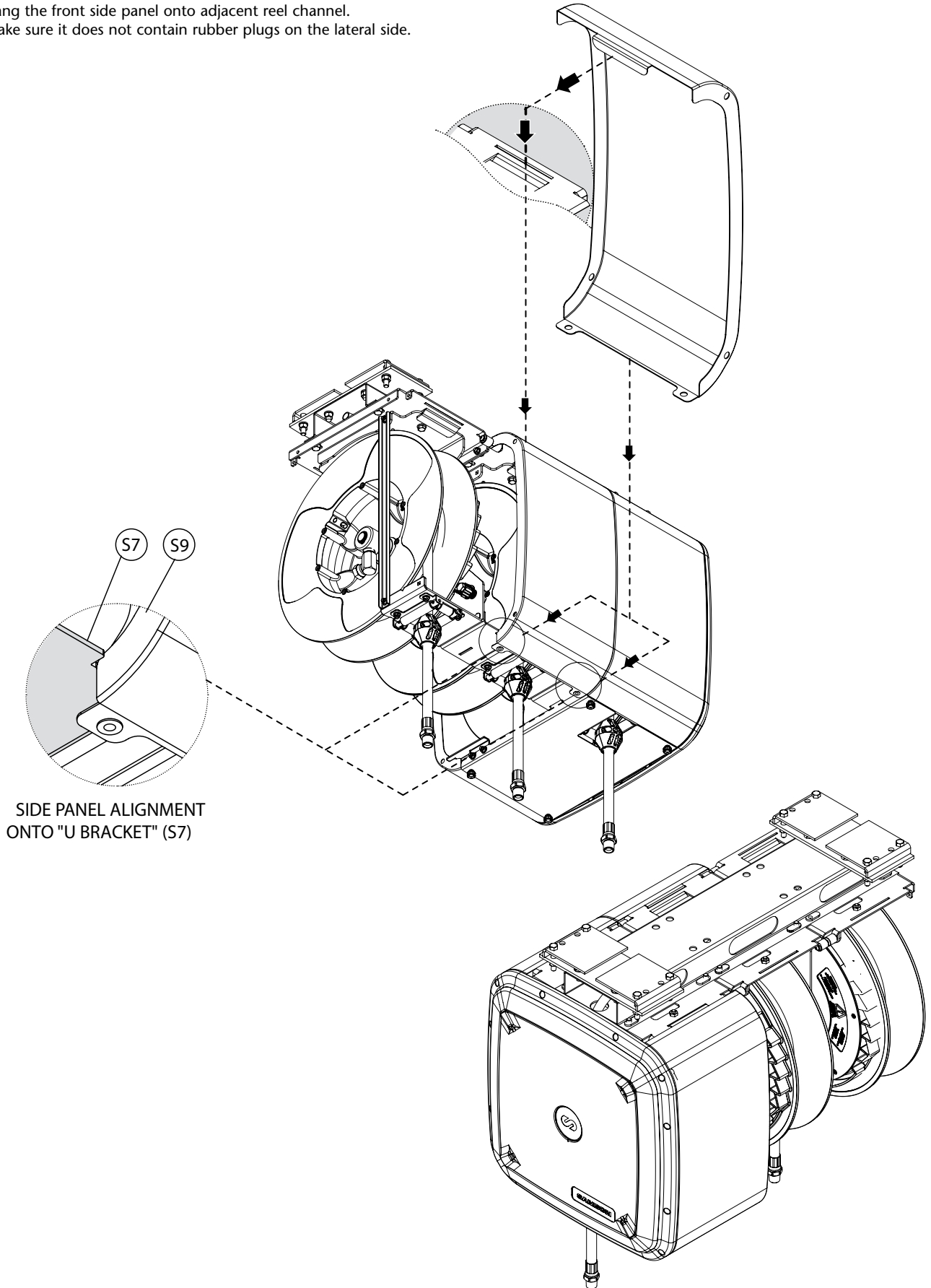


 **10 mm WRECH**

DO NOT COMPLETELY  
TIGHTEN AT THIS TIME

2018\_01\_25-10:00

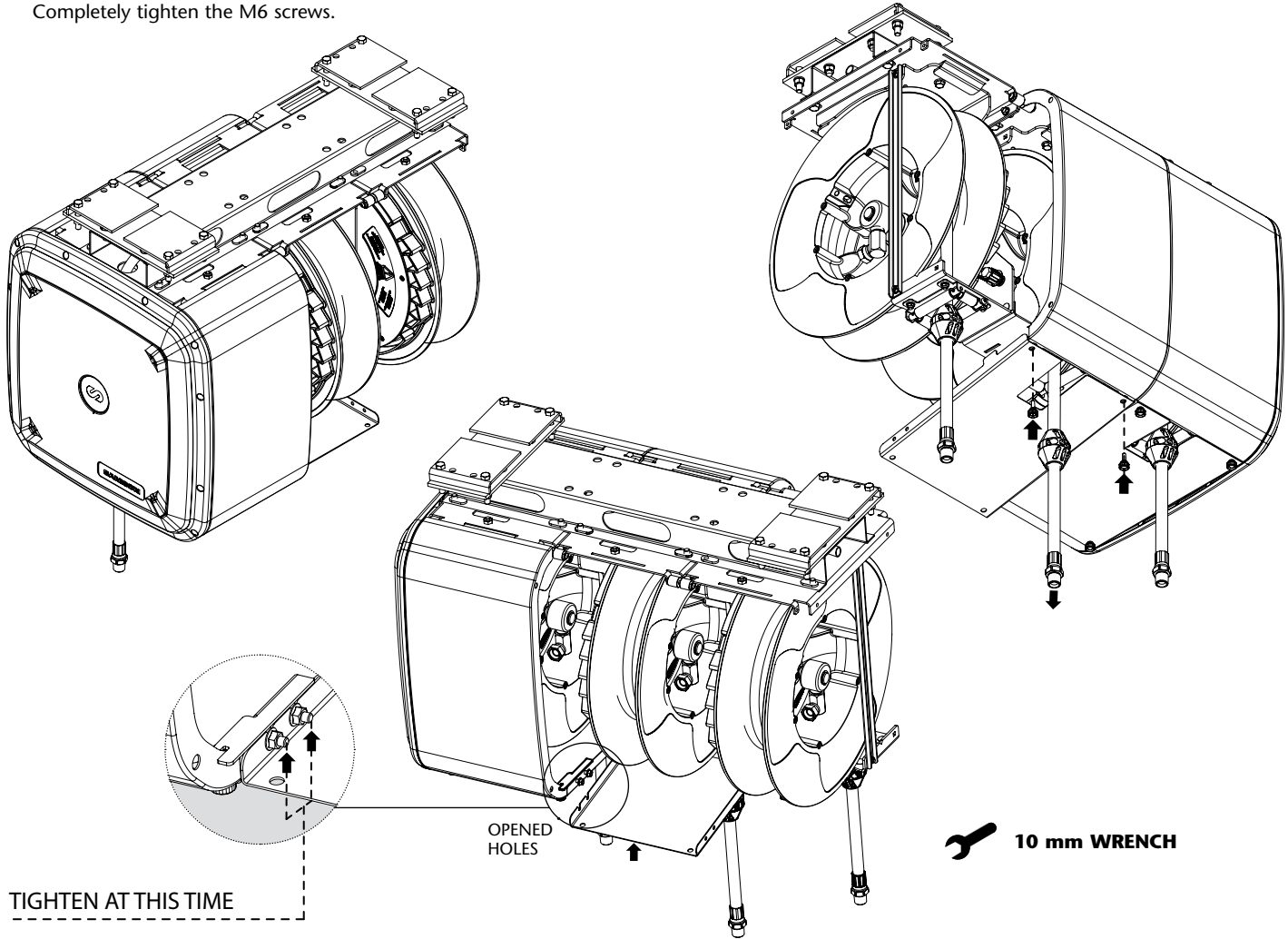
13. Hang the front side panel onto adjacent reel channel.  
Make sure it does not contain rubber plugs on the lateral side.



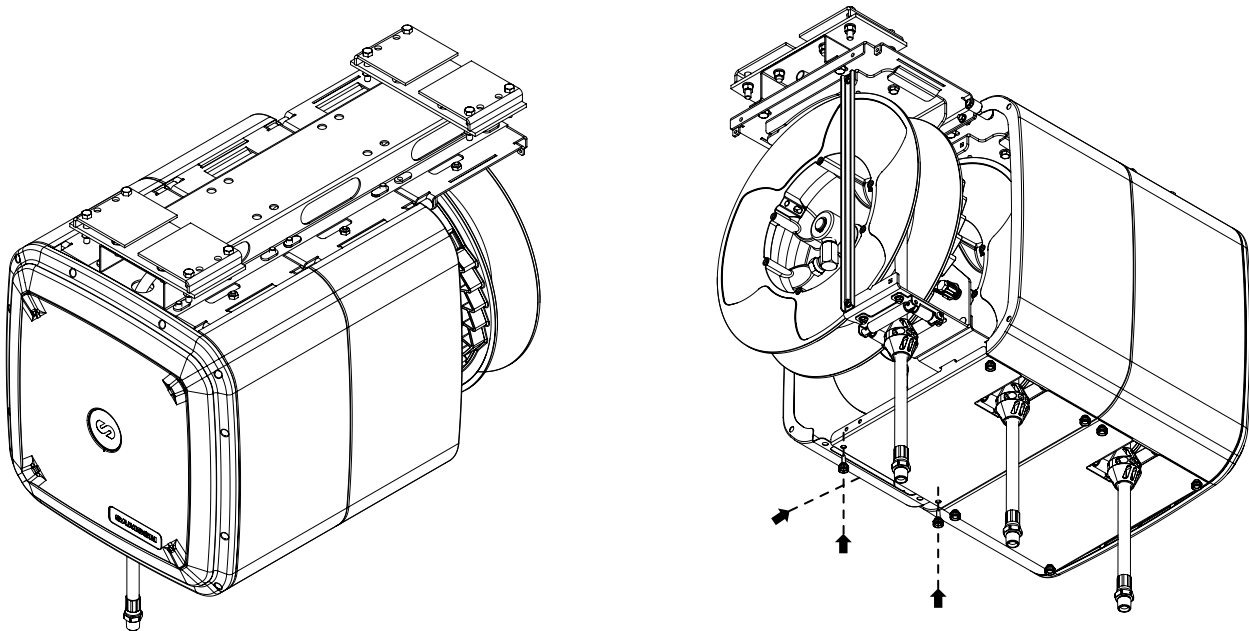
SIDE PANEL ALIGNMENT  
ONTO "U BRACKET" (S7)

## Installation

- 14.** Install the second bottom cap panel (S11) on two steps. First, mounting two grip knobs (S12) on the front side panel. Then, rotate the part (S11) inserting the opened side holes to the bolts (S3 & S4) over the alignment component (S13) installed before. Completely tighten the M6 screws.



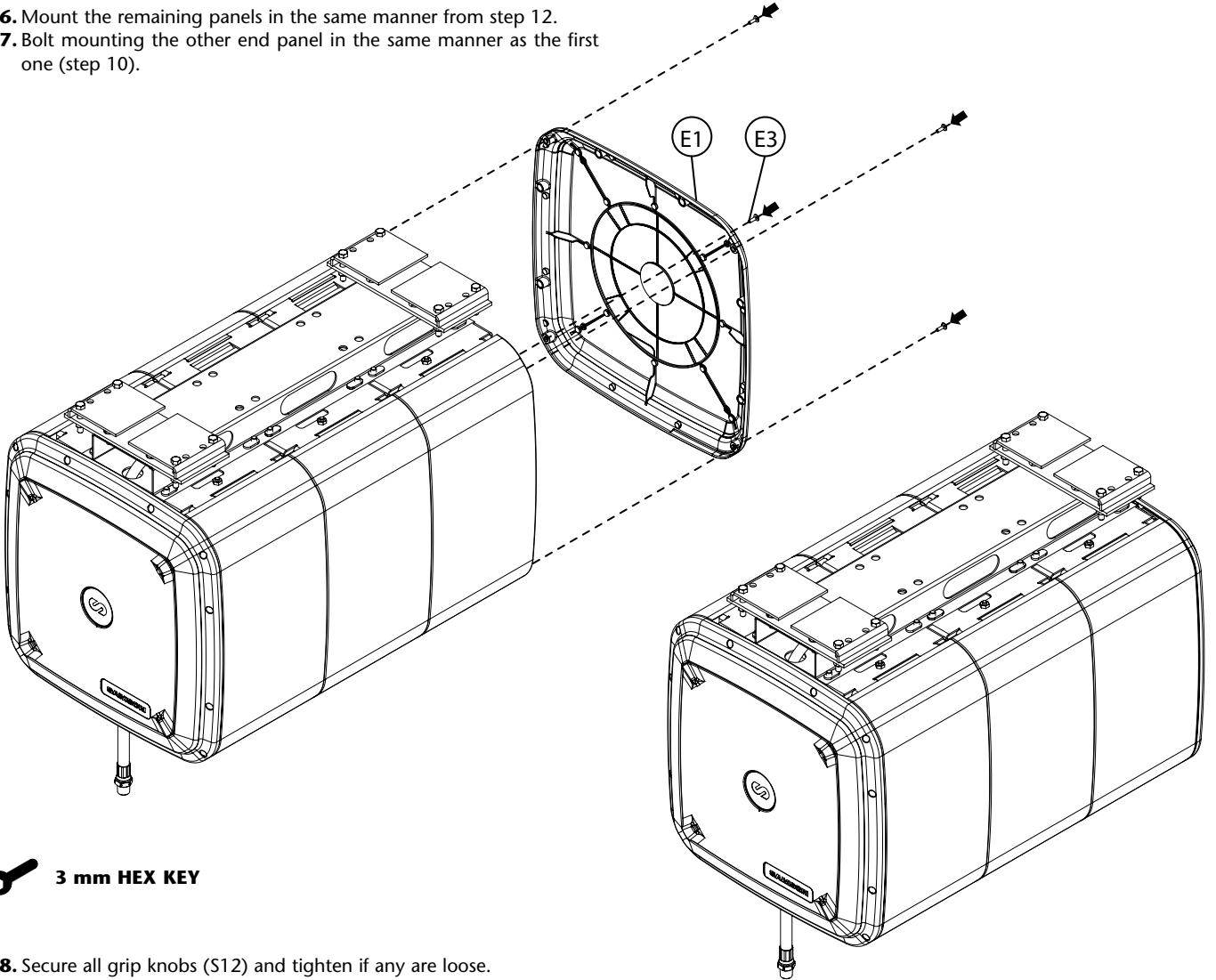
- 15.** Hang the back side panel (S9) onto adjacent reel channel (S1). Make sure it does not contain rubber plugs (S10) on the lateral side. Now, insert two grip knobs (S12) on it to secure the second cap panel (S11).



2018\_01\_25-10:00

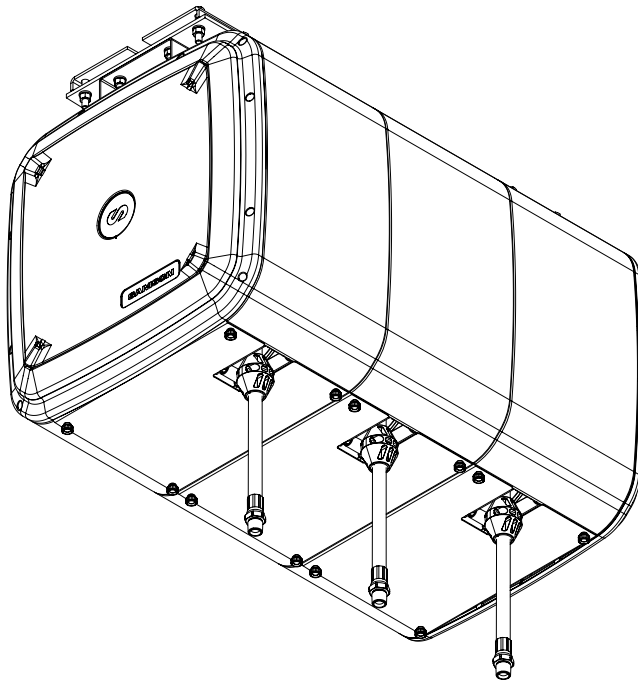
## Installation

16. Mount the remaining panels in the same manner from step 12.
17. Bolt mounting the other end panel in the same manner as the first one (step 10).



 **3 mm HEX KEY**

18. Secure all grip knobs (S12) and tighten if any are loose.



2018\_01\_25-10:00



**CAUTION:** Never alter or modify any parts of this reel. doing so may cause damage to reel and/or personal injury. always use original replacement parts.

Based on hose reel location on the bank, screw off two grip knobs to let the front sidel panel going freely. Take apart that panel to get access on maintenance procedures such as:

- SPRING LOAD ADJUSTMENT
- SWIVEL REPLACEMENT AND REPLACING SEALS IN SWIVEL
- STOP PAWL REPLACEMENT
- ROLLERS GUIDE REPLACEMENT
- HOSE STOP REPLACEMENT
- REPLACING SERVICE HOSE

*Spring load adjustment*

TYPE OF SERVICE	POWER SPRING	HOSE LENGHT	ID HOSE	PRE-WRAPPS OF TENSION
LP	850313 23 turns	30'	3/8	9
			1/2	
		50'	3/8	
			1/2	
MP & HP	850311 20 turns	30'	1/4	7
			3/8	9
			1/2	7
		50'	3/8	7
			1/2	
			1/2	

**To increase spring tension:**

1. Pull hose on reel down just enough to allow stop pawl engage ratchet. This will lock reel into position.
2. Remove the hose stop.

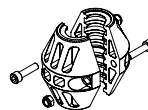
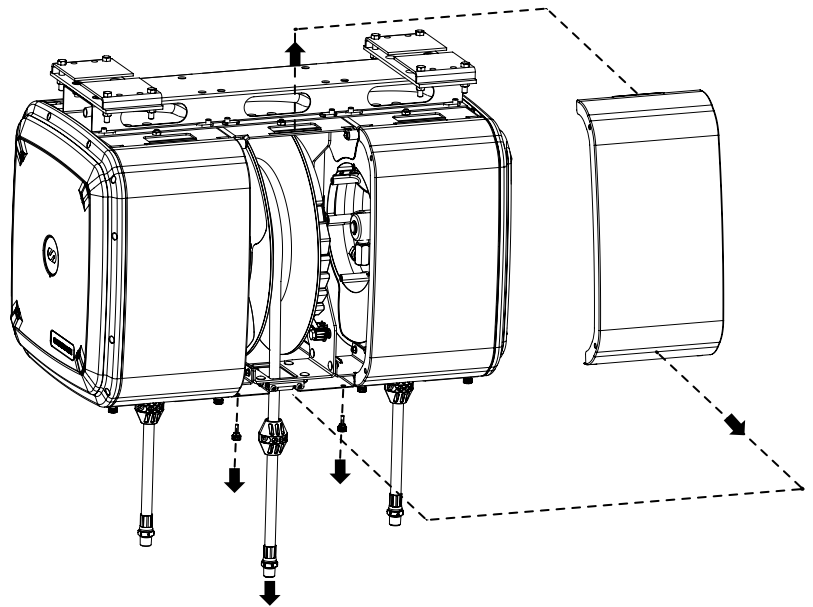


**WARNING:** Wear heavy leather gloves when replacing service hose and/or replacing power spring to protect your hands from injury.

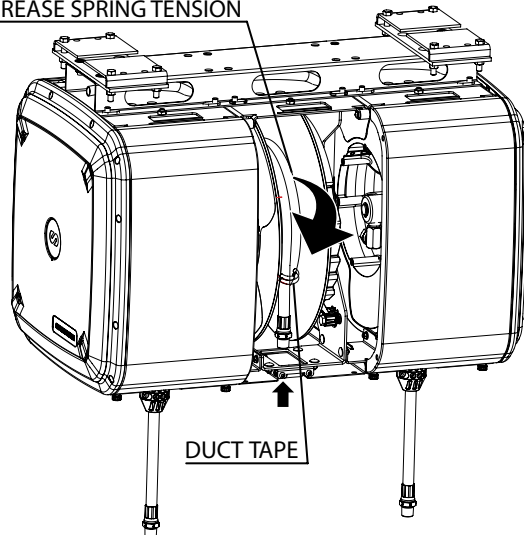
3. Wearing heavy gloves (hand protection), firmly grasp the outside edge of the spool with both hands. Let the spool rotate slowly through your hands until the end of the hose crosses the roller guide. Then, turn the spool just enough to allow stop pawl engage ratchet. This will lock reel into position.
4. Secure the end of the hose onto the spool using duct tape.
5. Add tension to the power spring by turning the spool down (see "Spring load adjustment" table).
6. Turn the spool just enough to allow stop pawl engage ratchet. This will lock reel into position. Pull hose out through roller outlet and reassemble hose stop.
7. Position the hose stop so that the hose will extend enough so that all operators can reach it.

**To decrease spring tension:**

Follow the procedures shown on the upper section. Pay attention on step 5, the power spring decreases its tension by turning spool up.



**INCREASE SPRING TENSION**



2018\_01\_25-10:00



Swivel



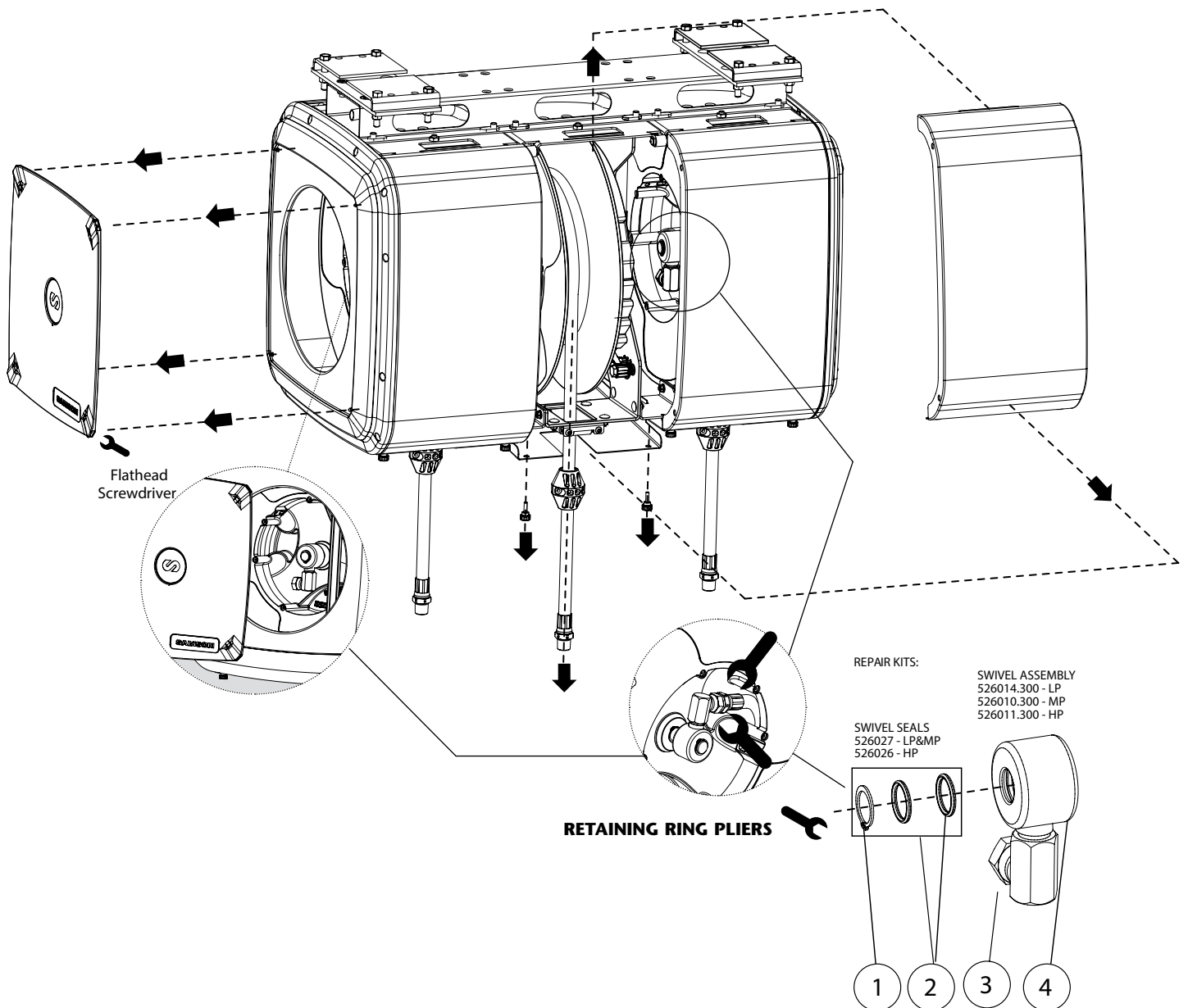
**BEFORE REMOVING THE DAMAGED SWIVEL, FOLLOW THE PRESSURE RELIEF PROCEDURES ON GENERAL SAFETY SECTION.**

**Replacing SEALS in swivel:**

1. Be sure the pressure supply has been relieved.
2. Pull the hose out and let the hose reel latch.
3. Unscrew the hose from the swivel.
4. Remove the snap ring and pull the swivel off the shaft.
5. Remove the worn o-rings (low/medium pressure reels) or polyurethane seals (high pressure reel). Clean the swivel and shaft. Inspect for wear and damage. Install the new o-rings/seals in the swivel. Grease the o-rings/seals.
6. Slide the swivel back into place being careful not to damage the new o-rings/seals. Secure swivel with snap ring and re-attach hose.

**Swivel replacement:** follow the procedures shown on the upper section without removing seals.

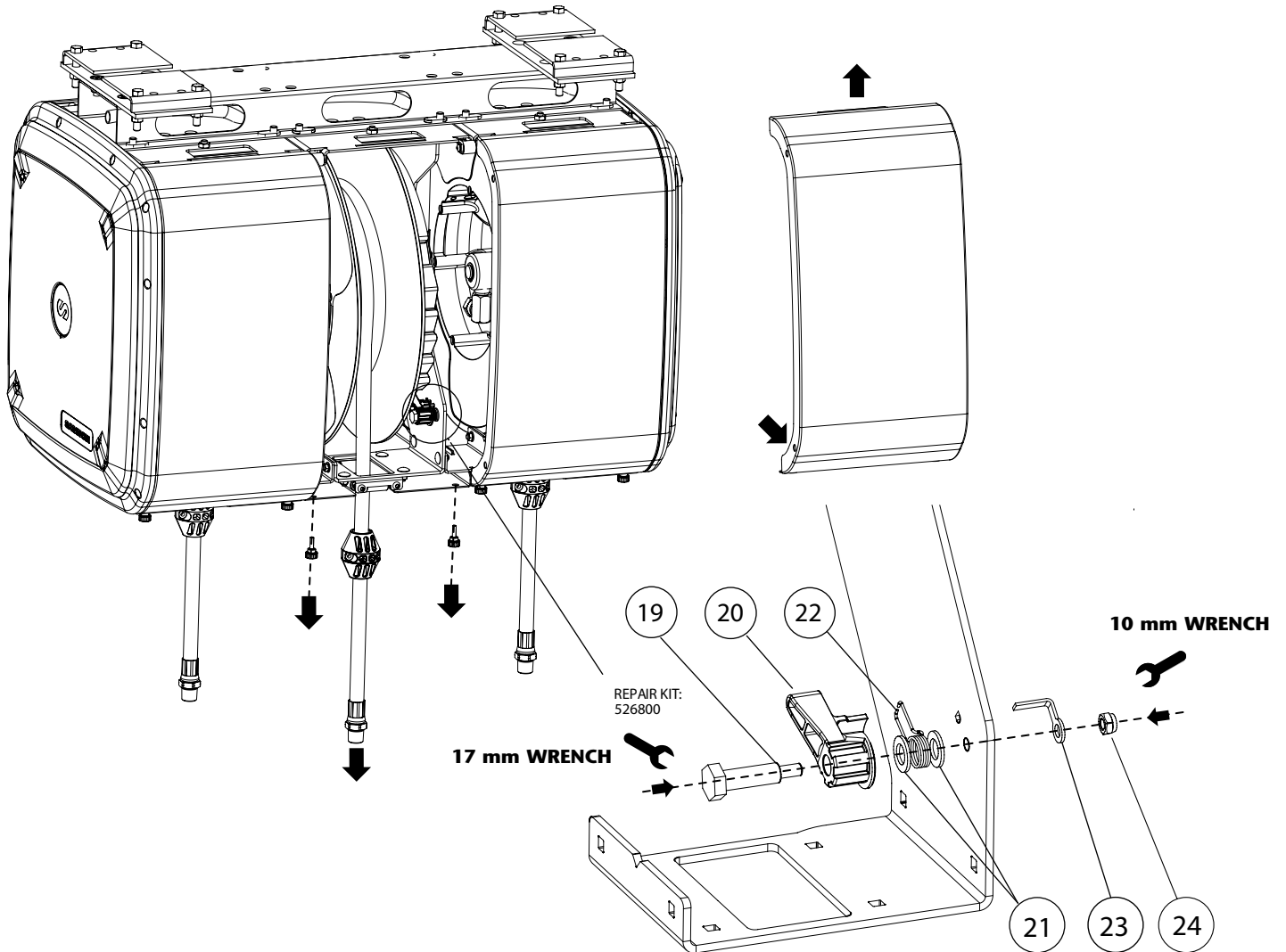
Dismount the plastic cover end panels to get access on extreme hose reel swivel.



2018\_01\_25-10:00

Stop pawl replacement

1. Make sure the hose is totally rewound. The spool must be held by the hose stop.
2. Remove the nut (24) that fixes the latch (23).
3. Replace the affected components.
4. Re-assemble the pieces in reverse order.

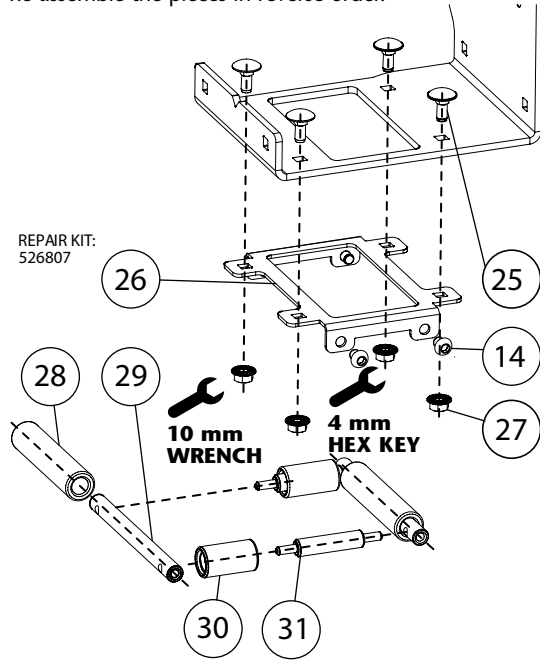


2018\_01\_25-10:00

Rollers guide replacement

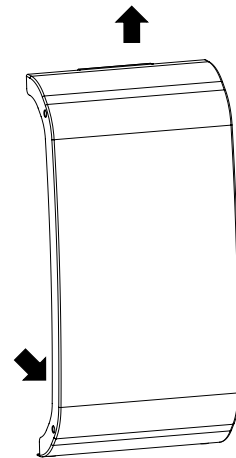
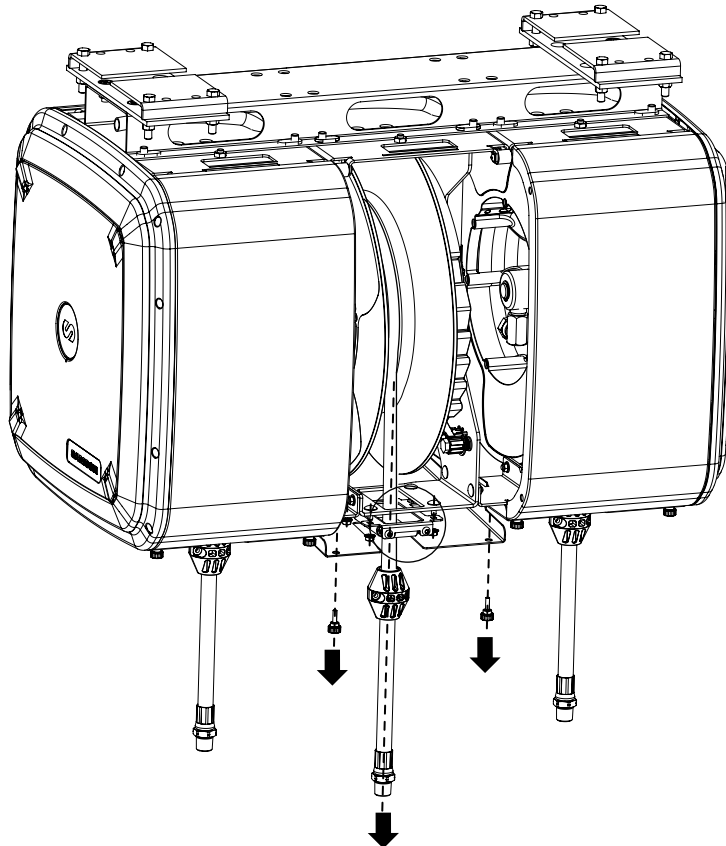
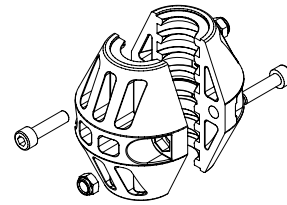
**ROLLERS GUIDE REPLACEMENT**

1. Pull hose on reel down just enough to allow stop pawl engage ratchet. This will lock reel into position.
2. Remove the hose stop.
3. Remove four nuts (27) that fixes the rollers guide (26).
4. Replace the affected components.
5. Re-assemble the pieces in reverse order.



**HOSE STOP REPLACEMENT**

1. Pull hose on reel down just enough to allow stop pawl engage ratchet. This will lock reel into position.
2. Remove the hose stop.
3. Replace the affected components.
4. Re-assemble the pieces in reverse order.



2018\_01\_25-10:00

### Replacing service hose

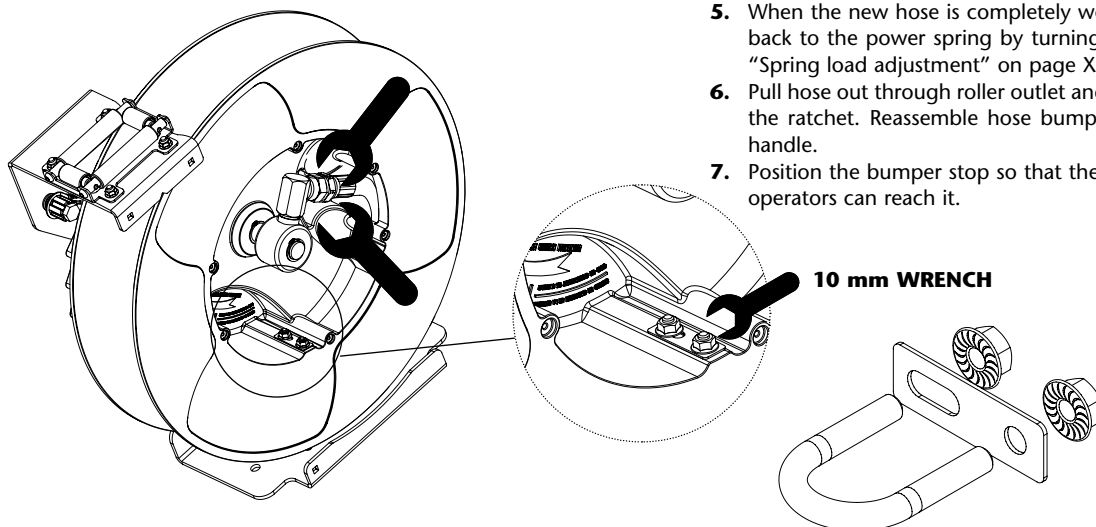


**BEFORE REMOVING THE DAMAGED SWIVEL, FOLLOW THE PRESSURE RELIEF PROCEDURES ON GENERAL SAFETY SECTION.**



**WARNING:** Wear heavy leather gloves when replacing service hose and/or replacing power spring to protect your hands from injury.

1. Pull hose on reel down just enough to allow stop pawl to engage ratchet. This will lock reel into position.
2. Remove the dispensing valve and hose stop.
3. Wearing Heavy Leather Gloves, firmly grasp the outside edge of the spool with both hands. Let the spool rotate slowly through your hands until the spool stops. When the spool stops the spring tension will be released. The hose can now be unwrapped and removed from the reel. Unscrew the hose from the swivel and detach the hose clamp.
4. Reattach the new hose to the swivel and affix the hose clamp back to the reel. From open side of the reel bank begin to wrap new hose by turning the spool up direction. By design, you will hear a "pop" sound every time the ratchet jumps the spring.
5. When the new hose is completely wound on the spool, add tension back to the power spring by turning the spool down direction (see "Spring load adjustment" on page X).
6. Pull hose out through roller outlet and allow the stop pawl to engage the ratchet. Reassemble hose bumper stop and dispensing control handle.
7. Position the bumper stop so that the hose will extend enough so all operators can reach it.



### Power spring replacement

**REPLACING POWER SPRING REQUIRES REMOVE THE REEL TO WORK BENCH.**



**WARNING:** hold the reel assembly firmly against the stop while remove the reel to work bench.



**WARNING:** before removing the swivel, follow the pressure relief procedures on general safety section.



**WARNING:** wear heavy leather gloves when replacing service hose and/or replacing power spring to protect your hands from injury.

1. Pull hose on reel down just enough to allow stop pawl to engage ratchet. This will lock reel into position.
2. Remove the dispensing valve and hose stop.
3. Wearing Heavy Leather Gloves, firmly grasp the outside edge of the spool with both hands. Let the spool rotate slowly through your hands until the spool stops. When the spool stops the spring tension will be

released. The hose can now be unwrapped and removed from the reel. Unscrew the hose from the swivel and detach the hose clamp.

4. Disconnect the inlet hose. Remove the reel to work bench and lay down with the open side of the reel facing upward.
5. Disconnect the outlet hose from the swivel. Remove snap ring. Remove swivel. Remove 2nd snap ring. Remove 3rd snap ring. Remove spacer/dust cover. Firmly grasp the spool and pull directly upward to remove the spool assembly from the shaft. During installation of the new spool assembly, be sure to align the catch on the spring hub with the spring catch in the spool assembly.
6. Push firmly down until spool can freely rotate and spring is securely caught in the hub.
 

**WARNING:** stop pawl can engage the ratchet prior to a securing the spool assembly in the correct position. Make sure to lift stop pawl out of the way if it prevents the spool from sitting flat on the base.
7. Reassemble with dust cover, snap rings and swivel. DO NOT leave spacer/dust cover out of the assembly – it will allow debris to enter the bearing and void warranty.
8. Transfer hose from old spool assembly to new spool assembly & adjust spring tension per REPLACING SERVICE HOSE section in this service bulletin.
9. Reel is now ready to be put back into service.

## Troubleshooting

Symptom	Possible Causes	Solution
Hose does not rewind.	Spring is not tensioned enough.	Increase spring tension.
Leaking hose reel.	Hose has a hole or is damaged.	Replace the hose.
Leaking swivel.	Damaged swivel seals.	Replace the swivel seals.
Hose does not extend out as much as required.	Spring is over tensioned.	Decrease spring tension.
Hose reel does not latch.	Damaged stop pawl/latch.	Replace stop pawl/latch.
	Stop pawl/latch not fitted.	Stop pawl/latch properly.
	Damaged stop pawl/latch spring.	Change the stop pawl/latch spring.

## Repair kits

	PART No.	DESCRIPTION	INCLUDED ITEMS
<b>HOSE STOPS</b>	<b>526001</b>	KIT, HOSE-STOP AND U-BOLT FOR 3/8" ID HOSE HP	1x32, 1x33, 2x34, 2x35, 2x36, 2x37
	<b>526002</b>	KIT, HOSE-STOP AND U-BOLT FOR 1/2" ID HOSE HP	
	<b>526004</b>	KIT, HOSE-STOP AND U-BOLT FOR 1/4" ID HOSE HP	
<b>POWER SPRINGS</b>	<b>850311</b>	POWER SPRING FOR MP & HP SERVICE	1x11
	<b>850313</b>	POWER SPRING FOR LP SERVICE	
<b>STOP PAWL</b>	<b>526800</b>	KIT, STOP PAWL	1x19, 1x20, 2x21, 1x22, 1x23, 1x24
<b>SWIVELS</b>	<b>526014.300</b>	KIT, LP SWIVEL ASSEMBLY	2x2, 1x3, 1x4
	<b>526010.300</b>	KIT, MP SWIVEL ASSEMBLY	
	<b>526011.300</b>	KIT, HP SWIVEL ASSEMBLY	
	<b>526027</b>	KIT, LP & MP SWIVEL SEALS	1x1, 2x2
	<b>526026</b>	KIT, HP SWIVEL SEALS	
<b>SHAFTS</b>	<b>895443</b>	SHAFT FOR LP SERVICE	1x6
	<b>750461</b>	SHAFT FOR MP SERVICE	
	<b>750467</b>	SHAFT FOR HP SERVICE	
<b>OUTLET</b>	<b>526807</b>	KIT, ROLLER OUTLET ASSEMBLY	4x14, 4x25, 1x26, 4x27, 2x28, 2x29, 2x30, 2x31
<b>HARDWARE</b>	<b>526808</b>	KIT, GRIP KNOBS	S10x4, S12x4

## Disposal information



The symbol above means that according to local laws and regulations your product and/or its battery must be disposed of separately from household waste. When this product reaches its end of life, take it to a collection point designated by local authorities. The separate collection and recycling of your product and/or its battery at the time of disposal will help conserve natural resources and ensure that it is recycled in a manner that protects human health and the environment.

2018\_01\_25-10:00

## Part list

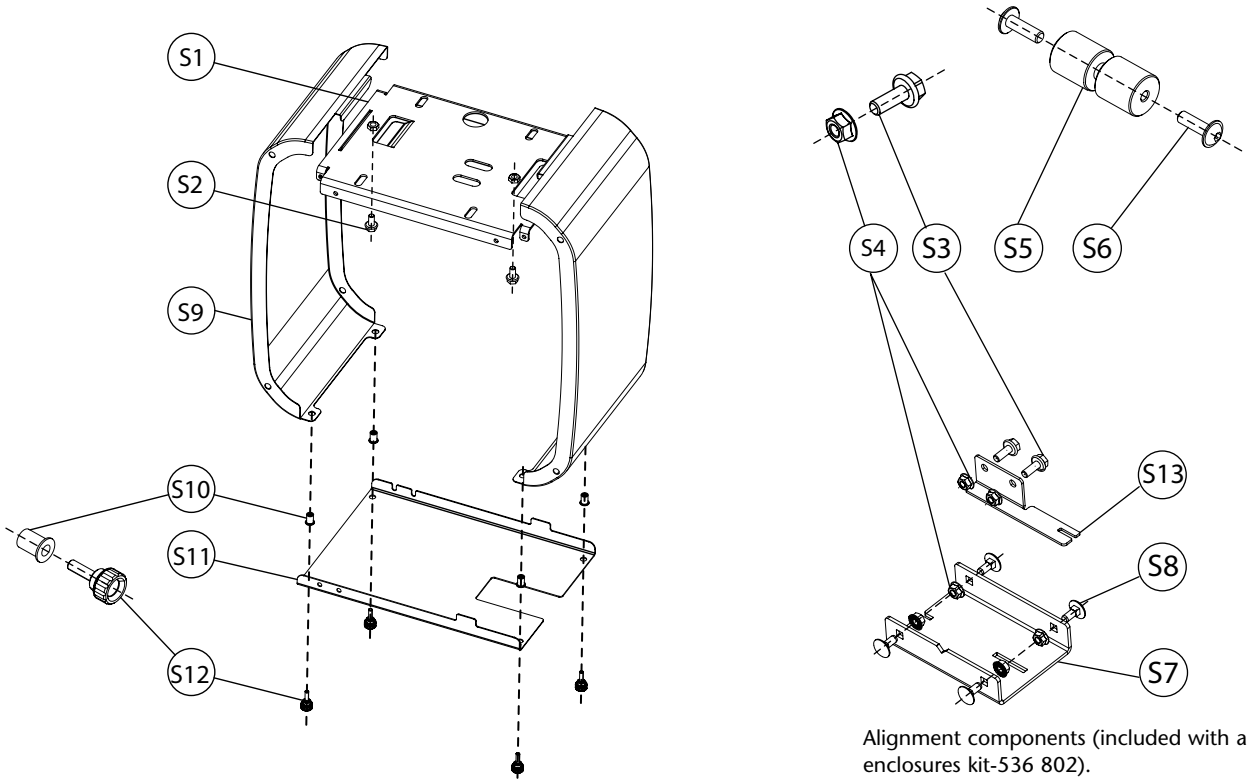
For each reel bank order one End Panel Kit  
 For each hose reel order one Side enclosures Kit

PART No.	DESCRIPTION	MARK	QUANTITY
<b>526802*</b>	<b>KIT, SIDE ENCLOSURES</b>		
750448	QUICK RELEASE SLIDING CHANNEL	S1	1
	SCREW, M8 DIN-6921 (13MM)	S2	2
940028	SCREW, M6 DIN-6921 (10MM)	S3	4
941127	NUT, M6 DIN-6923 (10MM)	S4	8
895448	UPPER, ALIGNMENT	S5	2
940213	SCREW, M5 ISO-7380 (3MM HEX. KEY)	S6	4
750458	U-BRACKET, ALIGNMENT	S7	1
940820	SCREW, M6 DIN-603	S8	4
895446*	SIDE PANEL	S9	2
950034	NUT, M5 SILENBLOCK	S10	4
750447*	CAP PANEL	S11	1
950125	GRIP KNOB	S12	4
750449	BOTTOM, ALIGNMENT	S13	1
<b>526809*</b>	<b>KIT, END PANEL</b>		
850122*	END PANEL	E1	2
950034	NUT, M5 SILENBLOCK	E2	8
940213	SCREW, M5 ISO-7380 (3MM HEX. KEY)	E3	8
750455	END SUPPORT BAR	E4	1
940820	SCREW, M6 DIN-603	E5	2
941127	NUT, M6 DIN-6923 (10MM)	E6	2
<b>1370</b>	<b>KIT, I-BEAM BRACKET</b>		
<b>1371</b>	<b>MOUNTING CHANNEL - 1 REEL</b>		
	SCREW, 3/8"-16 X 3/4 in	M1	4
	WASHER, LOCK, 3/8 in	M2	4
<b>1372</b>	<b>MOUNTING CHANNEL - 2 REELS</b>		
	SCREW, 3/8"-16 X 3/4 in	M1	8
	WASHER, LOCK, 3/8 in	M2	8
<b>1373</b>	<b>MOUNTING CHANNEL - 3 REELS</b>		
	SCREW, 3/8"-16 X 3/4 in	M1	12
	WASHER, LOCK, 3/8 in	M2	12
<b>1375</b>	<b>MOUNTING CHANNEL - 5 REELS</b>		
	SCREW, 3/8"-16 X 3/4 in	M1	20
	WASHER, LOCK, 3/8 in	M2	20

2018\_01\_25-10:00

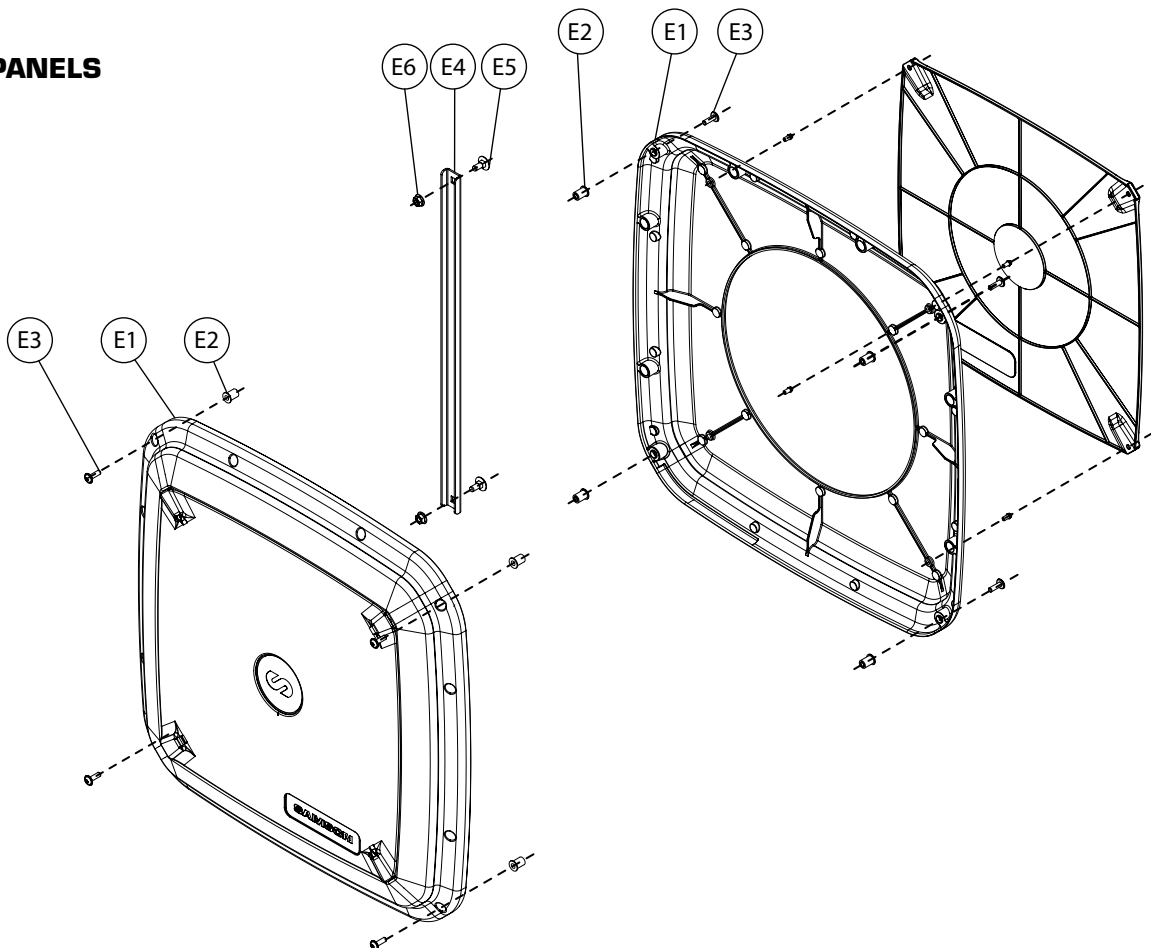
	INSERT	WHITE	BLACK	BLUE	RED	GREEN	GRAY
<b>SIDE PANEL</b>	-	526802	526802K	526802L	526802R	526802G	526802S
<b>END PANEL</b>	WHITE	526809	526809K	526809L	526809R	526809G	526809S
	BLACK	526809B	526809KB	526809LB	526809RB	526809GB	526809SB

**SIDE ENCLOSURES**



Alignment components (included with all enclosures kit-536 802).

**END PANELS**



2018\_01\_25-10:00

Part list

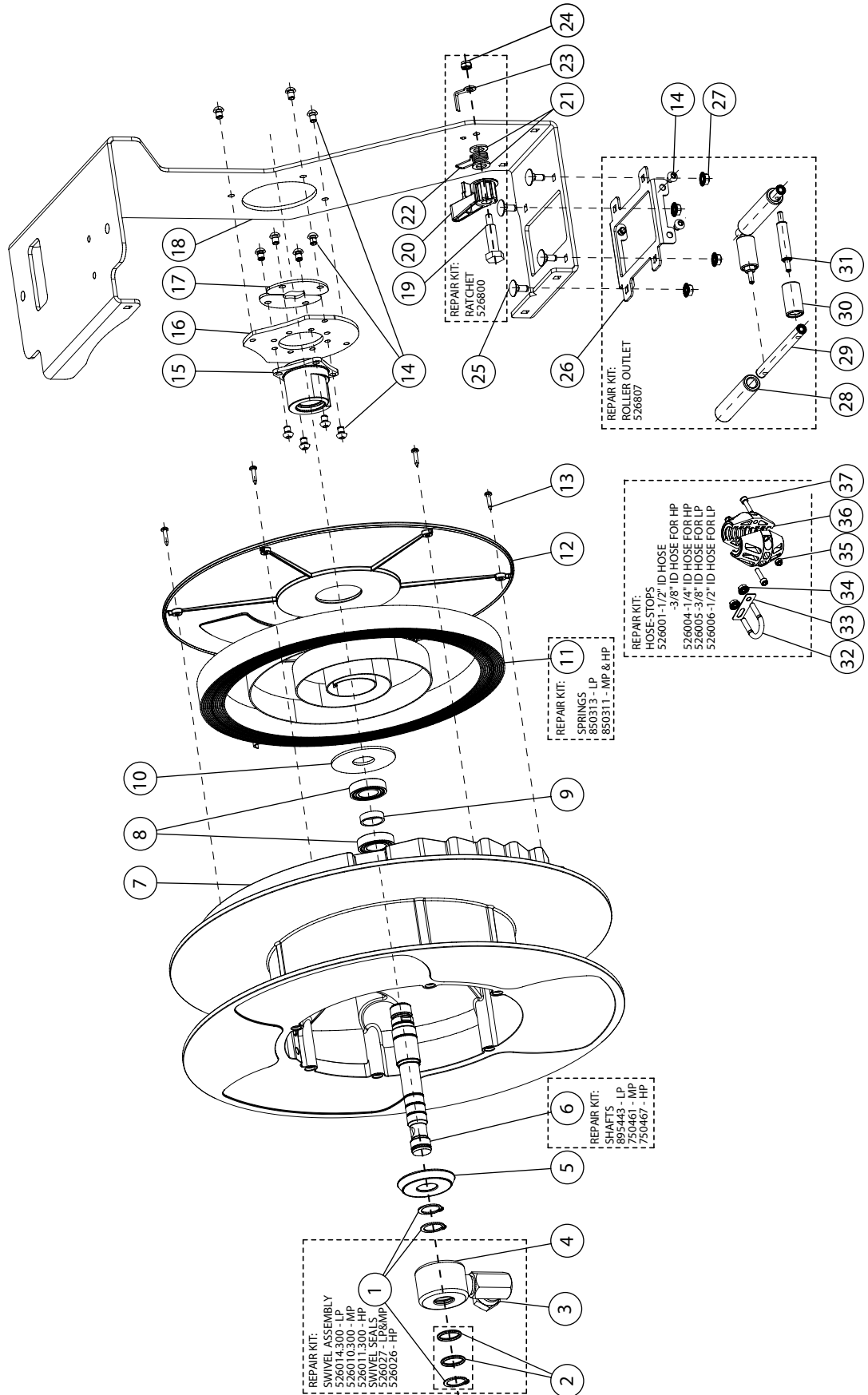
DECORATIVE HOSE REEL

ITEM	PN	DESCRIPTION	QUANTITY		
			LP 506 101 EC 506 121 EC 506 122 EC 506 104 EC	MP 506 202 EC 506 222 EC	HP 506 300 EC 506 321 EC
1	942620	LARGE SHAFT SNAP RING	3	3	1
	942612	SMALL SHAFT SNAP RING	-	-	1
2	946032	O-RING NBR	2	2	-
	946651	POLYURETHANE SEAL	-	-	2
3	945710	1/2" SWIVEL UNION 90-NPT(M)X NPS(F)	1	1	-
	945709	3/8" SWIVEL UNION 90-NPT(M)X NPS(F)	-	-	1
4	850618	LOW PRESSURE SWIVEL	1	-	-
	750425	MEDIUM PRESSURE SWIVEL	-	1	-
	750430	HIGH PRESSURE SWIVEL	-	-	1
5	850615	DUST COVER	1		
6	895443	BRASS SHAFT 1/2" NPSM	1	-	-
	750461	NICKEL PLATED STEEL SHAFT 1/2" NPSM	-	1	-
	750467	NICKEL PLATED STEEL SHAFT 3/8" NPSM	-	-	1
7	850613	SPOOL	1		
8	950510	BALL BEARING	2		
9	850617	SPACER	1		
10	850442	SPOOL WASHER	1		
11	850313	POWER SPRING	1	-	-
	850311	POWER SPRING HD	-	1	1
12	850614	SPRING CASE	1		
13	940522	SPRING CASE SCREW	6		
14	940379	SCREW, M6X8 DIN-7380 (4MM HEX. KEY)	15		
15	750114	SPRING HUB	1		
16	750444	SINGLE PEDESTAL FLANGE	1		
17	850440	SHAFT PLATES	2		
18	750445	SINGLE PEDESTAL	1		
19	850456	STOP PAWL AXLE (17MM)	1		
20	850611	STOP PAWL	1		
21	942060	STOP PAWL WASHER	2		
22	850312	STOP PAWL SPRING	1		
23	850455	STOP PAWL LATCH	1		
24	941106	NYLOCK NUT (10MM)	1		
25	940820	SCREW, M6 DIN-603	4		
26	750446	ROLLER OUTLET BODY	1		
27	941127	NUT, M6 DIN-6923 (10MM)	4		
28	850627	ROLLER, LONG	2		
29	895444	ROLLER SHAFT, LONG	2		
30	850626	ROLLER, SHORT	2		
31	895445	ROLLER SHAFT, SHORT	2		

2018\_01\_25-10:00



Part list



2018\_01\_25-10:00







┌ Distributed by ┐

└

└